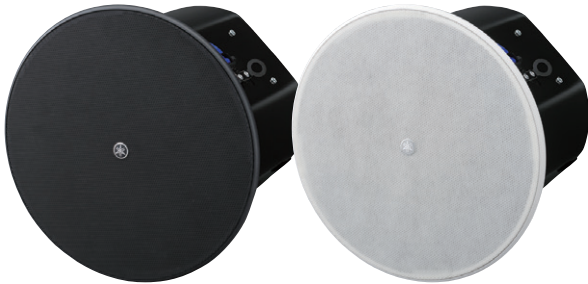


VXC Series

Ceiling Speaker



VXC8 / VXC8W



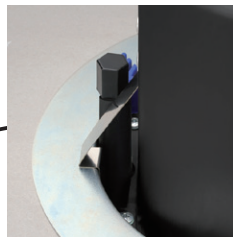
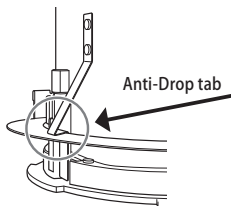
VXC6 / VXC6W



VXC4 / VXC4W

A versatile lineup for clear consistent sound.

- Series offers three different woofer sizes in either black or white.
- Features newly customized transducers for superb music reproduction as well as crystal clear announcements.
- Designed with optimized bass-reflex tuning to offer a firm, tight low-end.
- Equipped with internal transformers that allow both high and low impedance drive, which can be selected by simply switching the tap on the baffle.
- Anti-Drop tab allows the speakers to be mounted temporarily in the ceiling for improved safety and ease of installation.
- A flexible carrying band makes the speakers very portable and allows carrying multiple speakers at once.
- Come complete with O-rings and tile rails for safer and smoother installation.
- Overload protection circuit provided to protect speaker components.



VXC Series

GENERAL SPECIFICATIONS

Model	VXC8 / VXC8W	VXC6 / VXC6W	VXC4 / VXC4W
Speaker Type	2-way, Coaxial type, Acoustic Suspension		Full-range, Bass-reflex
Components	LF	8" Cone	4" full-range
	HF	1" Soft dome	
Coverage Angle ¹	100° conical	110° conical	130° conical
Nominal Impedance	8 Ω		
Power Rating ²	NOISE	90W	30W
	PGM	180W	60W
Sensitivity ³ (1W,1m)	90dB SPL	86dB SPL	87dB SPL
Maximum SPL (Calculated, 1m)	116dB SPL	111dB SPL	108dB SPL
Frequency Range ³	-10dB 55Hz - 20kHz	56Hz - 20kHz	80Hz - 20kHz
Connectors	1x Euroblock (4P) (Input: + / -, Loop Thru: + / -)		
Transformer Taps	70V	60W (83 Ω), 30W (170 Ω), 15W (330 Ω), 7.5W (670 Ω)	30W (170 Ω), 15W (330 Ω), 7.5W (670 Ω), 3.8W (1.3k Ω)
	100V	60W (170 Ω), 30W (330 Ω), 15W (670 Ω)	30W (330 Ω), 15W (670 Ω), 7.5W (1.3k Ω)
Color (Grille)	VXC8: Black / VXC8W: White	VXC6: Black / VXC6W: White	VXC4: Black / VXC4W: White
Dimensions (Diameter x H)	\emptyset 325 x 259mm (\emptyset 12.8" x 10.2")	\emptyset 286 x 205mm (\emptyset 11.3" x 8.1")	\emptyset 225 x 195mm (\emptyset 8.9" x 7.7")
Weight	6.6kg (14.5lbs)	4.4kg (9.7lbs)	2.6kg (5.7lbs)
Included accessories	O-ring, Tile Rail, Cutout Template, Screws, Owner's Manual		

*1 500Hz - 4kHz

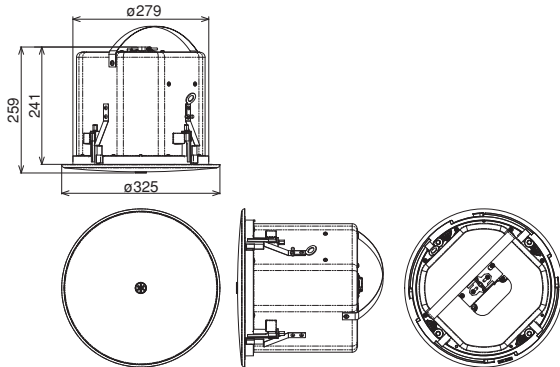
*2 IEC

*3 Half space

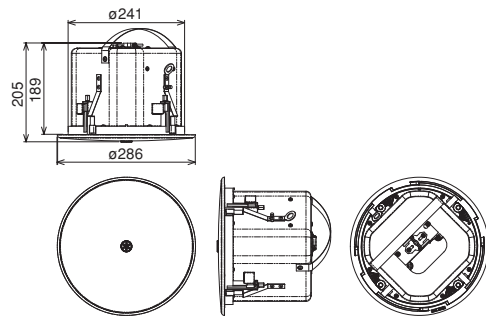
DIMENSIONS

unit : mm

VXC8 / VXC8W



VXC6 / VXC6W



VXC4 / VXC4W

