

TF Series

Digital Mixing Console



TF5



TF5 Rear Panel

D-PRE  StageMix 



TF3



TF3 Rear Panel

D-PRE  StageMix 



TF1



TF1 Rear Panel

D-PRE  StageMix 

A groundbreaking approach to compact live sound.

- TouchFlow Operation™ – smooth, natural control flow
- Intuitive user interface optimized for touch panel operation
- Touch & turn knob offers extra control precision
- 1-knob COMP™ & 1-knob EQ™: One knob to dial in the ideal sound
- GainFinder™ supports precision gain setup
- QuickPro Preset™ provides instant access to pro sound setups
- DCA roll-out enhances group control
- Comprehensive fader bank section
- TF Editor offline editing plus showtime
- TF StageMix™ for wireless mixing control
- Personal monitoring with MonitorMix
- Recallable D-PRE™ microphone preamplifiers
- Powerful processors and effects
- NY64-D expansion slot (64 in/ 64 out) for connection to a Dante network
- Tio1608-D high-performance stagebox solution that's simple to set up

GENERAL SPECIFICATIONS

Model	TF5	TF3	TF1												
Fader Configuration	32+1 Master	24+1 Master	16+1 Master												
Input Channels	48 (40 mono + 2 stereo + 2 return)	48 (40 mono + 2 stereo + 2 return)	40 (32 mono + 2 stereo + 2 return)												
Mixing Capacity	<table border="0"> <tr> <td>Main Buses</td> <td>3 (Left, Right + Sub)</td> </tr> <tr> <td>Aux Buses</td> <td>8 mono + 6 stereo</td> </tr> <tr> <td>Groups</td> <td>8 DCA Groups</td> </tr> </table>			Main Buses	3 (Left, Right + Sub)	Aux Buses	8 mono + 6 stereo	Groups	8 DCA Groups						
Main Buses	3 (Left, Right + Sub)														
Aux Buses	8 mono + 6 stereo														
Groups	8 DCA Groups														
I/O Connectors	<table border="0"> <tr> <td>Inputs</td> <td>32 mic/line (XLR/TRS combo) + 2 stereo line (RCA pin)</td> <td>24 mic/line (XLR/TRS combo) + 2 stereo line (RCA pin)</td> <td>16 mic/line (XLR/TRS combo) + 2 stereo line (RCA pin)</td> </tr> <tr> <td>Outputs</td> <td>16 (XLR)</td> <td></td> <td></td> </tr> <tr> <td>Expansion Slot</td> <td>1</td> <td></td> <td></td> </tr> </table>			Inputs	32 mic/line (XLR/TRS combo) + 2 stereo line (RCA pin)	24 mic/line (XLR/TRS combo) + 2 stereo line (RCA pin)	16 mic/line (XLR/TRS combo) + 2 stereo line (RCA pin)	Outputs	16 (XLR)			Expansion Slot	1		
Inputs	32 mic/line (XLR/TRS combo) + 2 stereo line (RCA pin)	24 mic/line (XLR/TRS combo) + 2 stereo line (RCA pin)	16 mic/line (XLR/TRS combo) + 2 stereo line (RCA pin)												
Outputs	16 (XLR)														
Expansion Slot	1														
Signal Processors	8 Effects + 10 GEQ														
Recording	<table border="0"> <tr> <td>via Windows/Mac</td> <td>34x34 USB Audio Interface</td> </tr> <tr> <td>via USB Storage Device</td> <td>2-track</td> </tr> </table>			via Windows/Mac	34x34 USB Audio Interface	via USB Storage Device	2-track								
via Windows/Mac	34x34 USB Audio Interface														
via USB Storage Device	2-track														
Sampling Frequency	Internal Clock 48 kHz														
Signal Delays	Less than 2.6 ms, INPUT to OMNI OUT, Fs=48kHz														
Fader	100 mm motorized, Resolution = 10-bit, +10 dB to -138 dB, -∞dB all faders														
Frequency Response	+0.5, -1.5 dB 20 Hz-20 kHz, refer to +4 dBu output @11 kHz, INPUT to OMNI OUT														
Total Harmonic Distortion²	Less than 0.05% 20 Hz-20kHz @ +4dBu into 600 Ω, INPUT to OMNI OUT, Input Gain = Min.														
Hum & Noise³	-128 dBu typ., Equivalent Input Noise, Input Gain = Max., -85 dBu, Residual output noise, ST master off														
Dynamic Range	110 dB typ., DA Converter, 107 dB typ., INPUT to Omni OUT, Input Gain = Min.														
Crosstalk@1kHz	-100dB ¹ , adjacent INPUT/OMNI OUT channels, Input Gain=Min.														
Dimensions (W x H x D)	866 x 225 x 599 mm	716 x 225 x 599 mm	510 x 225 x 599 mm												
Net Weight	20 kg	17 kg	13.5 kg												
Power Requirements (wattage)	120W	110 W	100 W												
Power Requirements (voltage and hertz)	100-240 V 50/60Hz	100-240 V 50/60Hz	100-240 V 50/60Hz												
Temperature Range	Operating temperature range: 0-40°C / Storage temperature range: -20-60°C														
Including Accessoires	Quick Guide, Power Cord, CUBASE AI download information														
Options	Rack-mount Kid RK5014 (for TF1), Expansion Card, Food Switch (FC5)														

¹. Crosstalk is measured with a -30dB/octave filter @22 kHz

². Total Harmonic Distortion ist measured with a -18dB/octave filter @80kHz

³. Hum & Noise are measured with an A-Weight filter

OPTIONS

Tio1608-D

I/O Rack

2U



NY64-D

NY Card



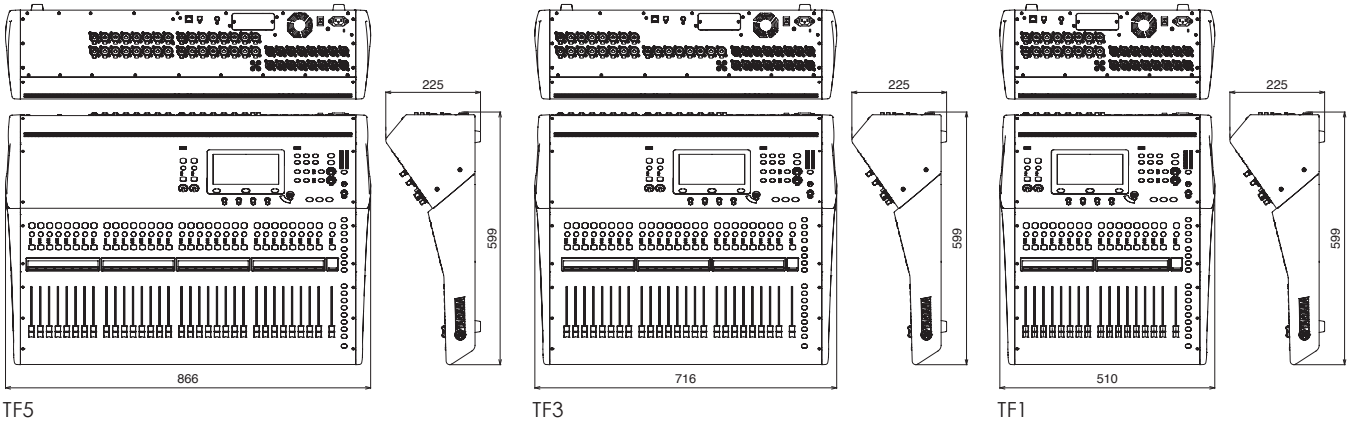
RK5014

Rack Mount Kit

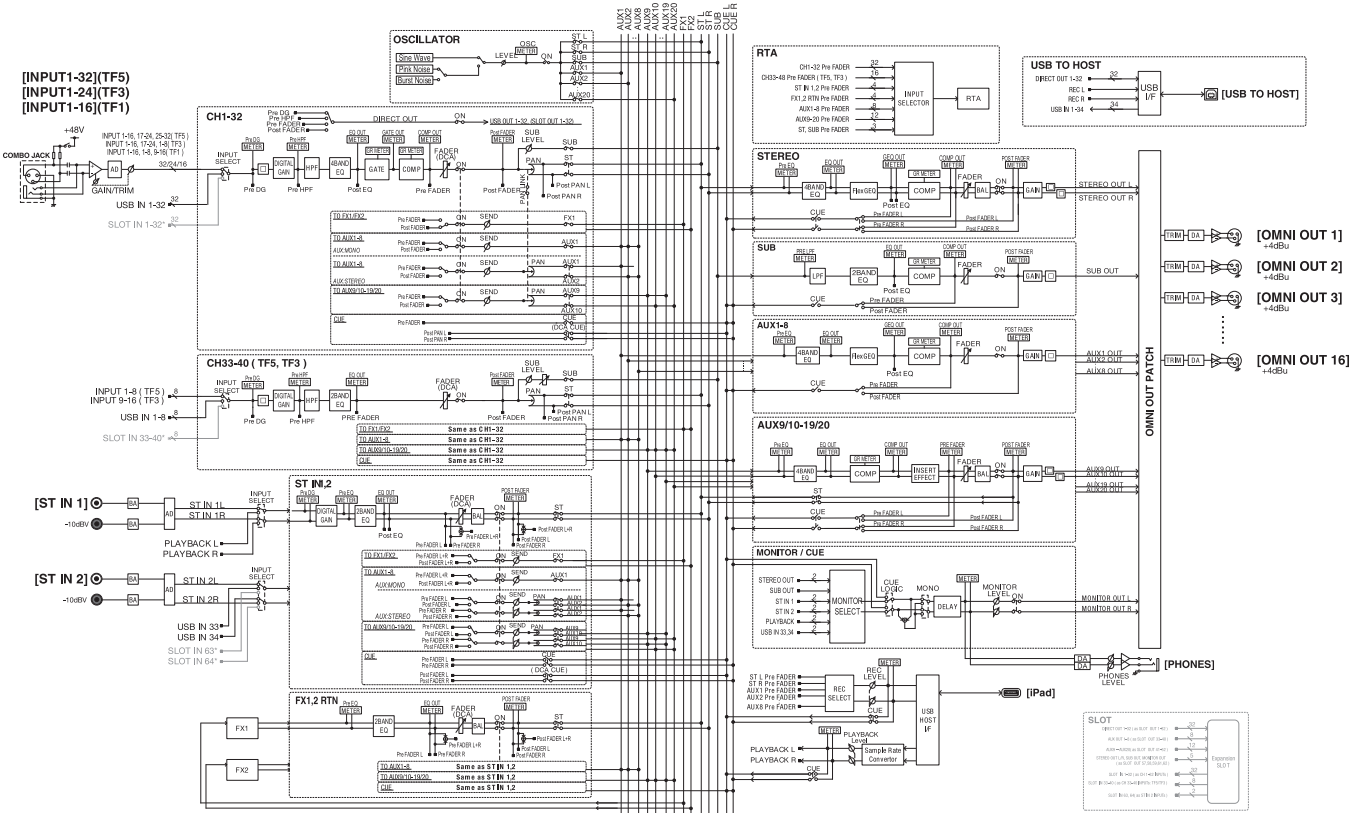


DIMENSIONS

unit : mm



BLOCK DIAGRAM



* SLOT will be available with firmware update