

## Overview

---

680-watt, portable PA system with 10-channel powered mixer, two 10" speakers, iPod/iPhone USB connection, SPX digital reverbs, an onboard feedback suppressor and versatile EQ.



## Features

---

- 680W (340W + 340W) power output
- Newly designed high quality speakers (LF:10" woofer/ HF:1.4" voice coil compression driver)
- Detachable 10-channel mixer (4 mono/line + 6 mono / 3 stereo line)
- iPod/ iPhone USB connection
- 1-Knob Master EQ™ with virtual bass boost
- High resolution SPX digital reverbs (4 types, parameter control)
- Onboard feedback suppressor
- Great-sounding 3-band channel EQ
- Switchable stereo/ mono inputs
- Hi-Z (high impedance) inputs
- Phantom power
- Monitor and Subwoofer outputs
- Optional reverb footswitch

## Specifications

1/2

### General Specifications

#### System

System Type	Powered mixer with 2 passive speakers
Frequency Range (-10dB)	55Hz-20kHz
Maximum SPL (Measured Peak IEC Noise@1m)	129dB SPL / speaker
Power Consumption	35W (Idle), 100W (1/8 Power)
Power Requirements	100V-240V, 50Hz/60Hz
Dimensions (W×H×D)	Speaker: 335mm x 545mm x 319mm (13.2" x 21.5" x 12.6"), Mixer: 348mm x 197mm x 135mm (13.7" x 7.8" x 5.3")
Net Weight	25.4kg / 56lbs (2 x Speaker 10.8kg + Mixer 3.8kg)

#### Powered Mixer

Mixer	Mixing Channels	10
	Analog Inputs	4 mono mic/line + 6 mono / 3 stereo line
	Digital Inputs	USB Audio IN: iPod/iPhone exclusive
	Channel EQ	3-band (HIGH Shelving: 8kHz, MID peaking: 2.5kHz, LOW Shelving: 100Hz)
	Channel Functions	Hi-Z switch: CH4, ST/MONO switch: CH5/6-9/10
	Digital Effects	SPX digital reverb (4 program, parameter control)
	Output Processing	Feedback suppressor, 1-Knob Master EQ™
	Phantom Power	+30V (CH1, 2)
	Outputs	SPEAKERS OUT (L, R), MONITOR OUT (L/MONO, R), SUBWOOFER OUT (MONO) with auto HPF
	Control and Others	Reverb foot switch
Built in Amplifiers	Power Rating (Dynamic)	680W (340W + 340W)
	Power Rating (Continuous)	560W (280W + 280W)

#### Speaker

Type	Two-way bass-reflex speakers
Components	LF: 10" (25cm) cone, HF: 1.4" (3.56cm) voice coil compression driver
Coverage Angle	90° x 60°
Floor Monitor Angle	50°
Handle	Top x 1
Pole Socket	34.8-35.2mm pole socket with StageLok™

#### Accessories

Included Accessories	Cover panel, Power cord (2m), Speaker cables (6m) x 2, Non-skid pads x 12
Optional Accessories	Yamaha BMS10A (mic stand adaptor) for mixer mount, FC5 (footswitch) for reverb ON/OFF

## Specifications

2/2

### Analog Input Specifications

Input Terminals	MIC/LINE	Input Impedance	Source Impedance	Input level			Connector	
				Sensitivity	Nominal	Max. before Clip		
CH IN 1-2	MIC	3k $\Omega$	150 $\Omega$ Mics	-56 dBu	-35 dBu	-10 dBu	XLR-3-31	
	LINE			-30 dBu	-9 dBu	+16 dBu		
CH IN 3-4	MIC	3k $\Omega$	150 $\Omega$ Mics	-56 dBu	-35 dBu	-10 dBu	XLR	
	LINE			-30 dBu	-9 dBu	+16 dBu		
	MIC	10 k $\Omega$ (Hi-Z 1 M $\Omega$ )	150 $\Omega$ Lines (Hi-Z 10 k $\Omega$ )	-50 dBu	-29 dBu	-4 dBu	XLR Combo	
	LINE			-24 dBu	-3 dBu	+22 dBu		
CH IN 5/6	LINE	10 k $\Omega$	150 $\Omega$ Lines	-24 dBu	-3 dBu	+22 dBu		Phone**
CH IN 7/8	LINE	10 k $\Omega$	150 $\Omega$ Lines	-24 dBu	-3 dBu	+22 dBu		Phone**, RCA Pin
CH IN 9/10	LINE	10 k $\Omega$	150 $\Omega$ Lines	-24 dBu	-3 dBu	+22 dBu	Phone**, Stereo Mini	

### Output Specifications

Output Terminals	Output Impedance	Load Impedance	Output Level				Connector
			Nominal	Max. before Clip	Typ at THD+N 10%	Dynamic	
SPEAKERS OUT [L,R]	<0.1 $\Omega$	4 $\Omega$ Speakers	-	-	280 W	340 W	Phone**
MONITOR OUT [L,R]	600 $\Omega$	10 k $\Omega$ Lines	+4 dBu	+20 dBu	-	-	Phone**
SUBWOOFER OUT	150 $\Omega$	10 k $\Omega$ Lines	-3 dBu	+17 dBu	-	-	Phone**

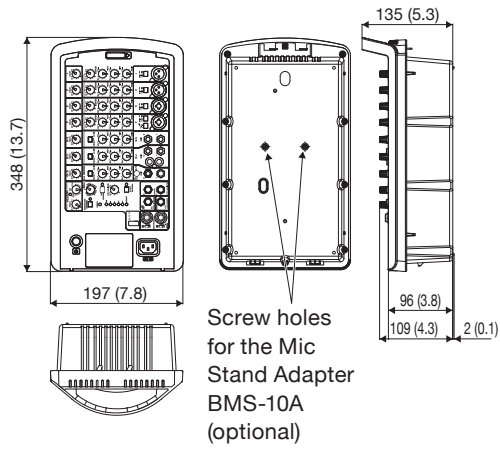
### Digital Input Specifications

Terminal	Format	Connector
USB IN	iPod, iPhone exclusive	USB A type

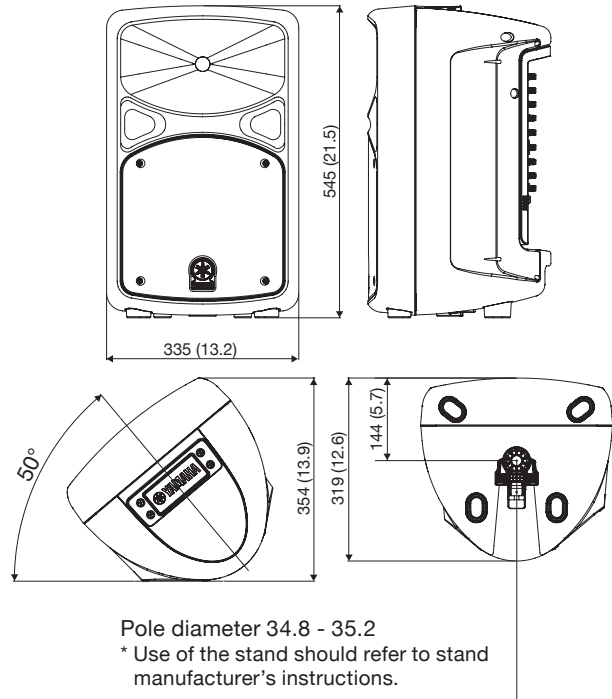
## Dimensions

Unit: mm (inch)

### Mixer



### Speaker



## Options

- Mic Stand Adaptor      BMS10A
- Foot Switch              FC5

## Architectural and Engineering Specifications

---

The Yamaha STAGEPAS 600i shall be a portable PA system that incorporates a powered mixer with a pair of passive speakers.

The mixer section of the powered mixer shall have 10 analog mixing channels (4 mono microphone/line + 6 mono/3 stereo line) and a digital USB Audio IN input exclusively for iPad/iPhone. The STAGEPAS 600i shall have 3-band channel EQ (HIGH Shelving at 8kHz, MID peaking at 2.5 kHz, LOW Shelving at 100Hz), a Hi-Z switch on channel 4, ST/MONO switches for channels 5/6 and 7/8 and 9/10, SPX digital reverb with 4 programs and parameter control, a feedback suppressor, 1-Knob Master EQ™, and +30V phantom power on channels 1 and 2. Outputs shall be SPEAKERS OUT (L and R), MONITOR OUT (L/MONO and R), and SUBWOOFER OUT (MONO) with auto HPF. A Reverb foot switch connector shall be provided.

The amplifier section of the powered mixer shall have a universal power supply that accepts AC line input from 100V to 240V at 50Hz or 60Hz.

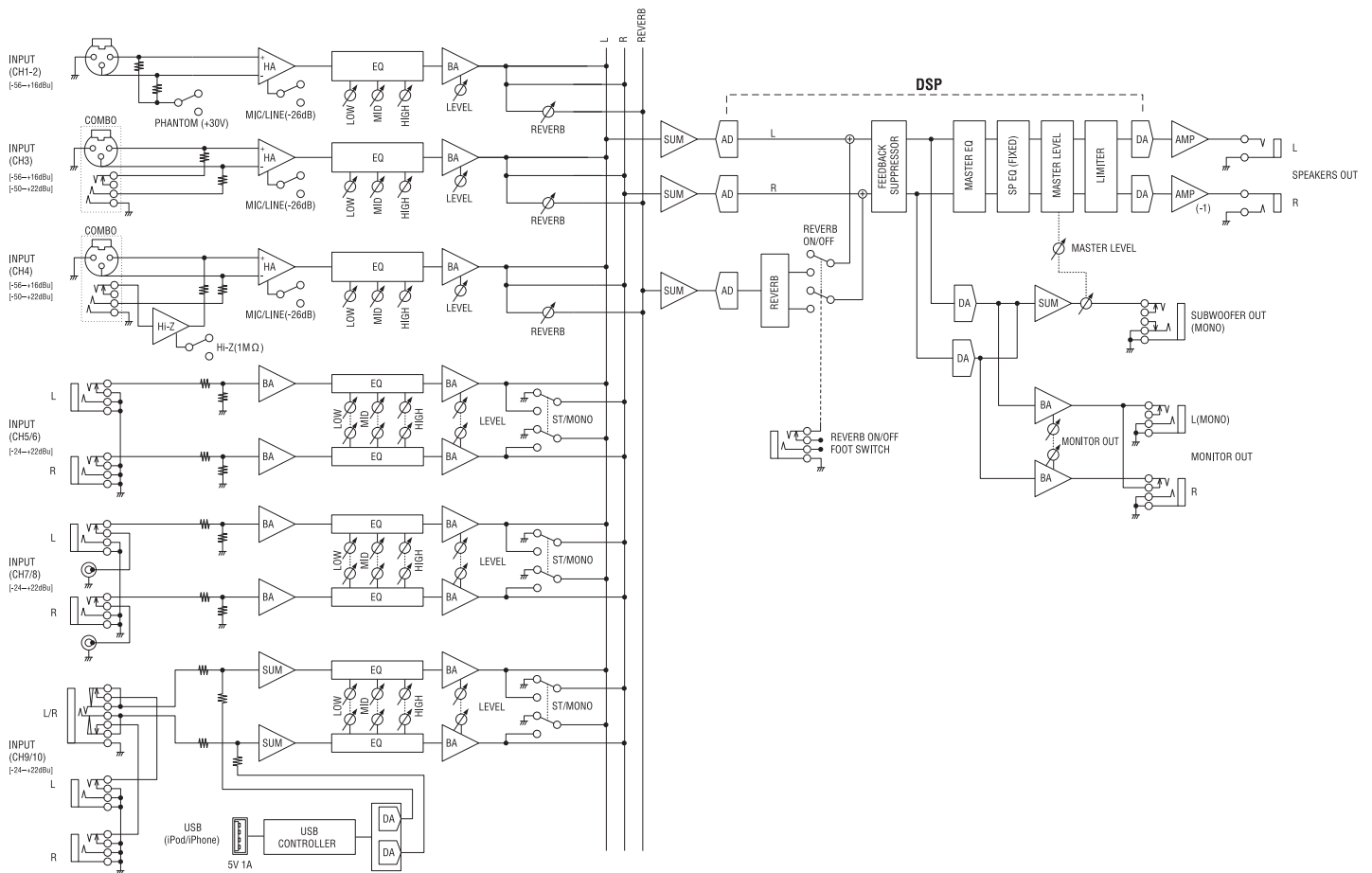
The power output rating shall be 680 watts (340 watts + 340 watts) dynamic, or 560 watts (280 watts + 280 watts) continuous.

The loudspeakers shall incorporate a single 10" cone for the low frequencies and a compression driver with a 1.4" voice coil for the high frequencies. The loudspeakers shall meet the following performance criteria: Maximum SPL shall be 129dB at 1 meter, frequency response shall be 55 Hz ~ 20 kHz at 10dB below rated sensitivity, and nominal coverage angle shall be 90° horizontal and 60° vertical. The loudspeaker shall have a 50° floor monitor angle, a top handle, and a 34.8 ~ 35.2 mm pole socket with StageLok™.

Powered mixer dimensions shall be 348 (W) x 197 (H) x 135 (D) mm. Powered mixer weight shall be no more than 3.8 kg. The dimensions of each loudspeaker shall be 335 (W) x 545 (H) x 319 (D) mm. The weight of each loudspeaker shall be no more than 10.8 kg. Total PA system weight shall be 25.4 kg.

Accessories included with the portable PA system shall be: cover panel, power cord (2 meters), 2 speaker cables (6 meters each), 12 non-skid pads.

# Block Diagrams



\*All information subject to change without notice.  
 \*All trademarks and registered trademarks are property of their respective owners.  
 Created in March, 2017



YAMAHA CORPORATION  
 P.O.BOX 1, Hamamatsu Japan  
[www.yamahaproaudio.com](http://www.yamahaproaudio.com)