

MSP STUDIO Series

MSP7 STUDIO



MSP7 STUDIO Rear Panel



MSP5 STUDIO



MSP5 STUDIO Rear Panel



SW10 STUDIO



SW10 STUDIO Rear Panel



Refined Monitoring Precision

Powered Monitor Speaker MSP7 STUDIO

- 2-way bass-reflex bi-amplified near field studio monitor 6.5" cone woofer and 1" titanium dome high-frequency unit delivers 45Hz- 40kHz frequency response.
- 130 watts (LF 80W + HF 50W) dynamic bi-amplified power.
- XLR balanced input.
- Advanced Magnetic Structure Design
- One-piece Molded Enclosure with Rounded Baffle
- 31 positions Level Control facilitates precise overall system level matching.
- Low Cut switch and TRIM Control (High/Low).
- Full magnetic shielding.

Powered Subwoofer SW10 STUDIO 10" bass-reflex powered subwoofer delivers solid 25Hz- 150Hz frequency response.

- 180 watts dynamic power.
- XLR balanced inputs (L/R/SUBWOOFER) .
- XLR balanced outputs(L/R/SUBWOOFER) parallel connection with input signals.
- Level control facilitates precise system level controls.
- 40-120 Hz, 80 Hz at Center Click LPF controls.
- Phase switch simplifies phase alignment.
- Full magnetic shielding.

Powered Monitor Speaker MSP5 STUDIO

- 2-way bas-reflex bi-amplified near field studio monitor 5" cone woofer and 1" titanium dome high-frequency unit delivers 50Hz- 40kHz frequency response.
- 67 watts (LF 40W + HF 27W) dynamic bi-amplified power.
- XLR balanced input and 1/4" unbalanced input.
- Advanced Magnetic Structure Design
- One-piece Molded Enclosure with Rounded Baffle
- 31 positions Level Control facilitates precise overall system level matching.
- TRIM Control(High/Low).
- Full magnetic shielding.

OPTIONS (MSP7 STUDIO)

BWS50-190/260

Wall Bracket

OPTIONS (MSP5 STUDIO)

BCS20-150/210

Ceiling Bracket

MSP STUDIO Series

SPECIFICATIONS

Model		MSP7 STUDIO	MSP5 STUDIO	SW10 STUDIO	
GENERAL	Type	Bi-amp 2-way Powered Speaker	Bi-amp 2-way Powered speaker	Powered subwoofer	
	Crossover Frequency	2.5 kHz LF:30dB/oct, HF:30dB/oct	2.5 kHz LF:24dB/oct, HF:24dB/oct	-	
	Overall Frequency Response	45Hz-40kHz (-10dB)	50Hz-40kHz (-10dB)	25Hz-150Hz (-10dB)	
	Maximum Output Level	106dB, 1m on Axis	101dB, 1m on Axis	111dB, 1m on Axis	
	Dimensions (W x H x D)	218 x 330 x 235mm (8.6" x 13.0" x 9.3")	179 x 279 x 208mm (7.0" x 11.0" x 8.2")	328 x 459 x 476mm (12.9" x 18.1" x 18.7")	
	Weight	12.2kg (26.9lbs)	7.9kg (17.4lbs)	26.5kg (58.4lbs)	
	Magnetic Shielding	Yes	Yes	Yes (None covered type)	
Speaker Section	Components	LF	6.5" cone	5" cone	
		HF	1.0" Titanium dome	1.0" Titanium dome	
	Enclosure	Type	Bass-Reflex	Bass-Reflex	Bass-Reflex
	Material	PP	PP	MDF	
Amplifier Section	Output Power *	LF	80W THD = 0.05%, RL = 4Ω	40W THD = 0.02%, RL = 4Ω	180W f = 100Hz, THD = 1%, RL = 8Ω
		HF	50W THD = 0.05%, RL = 6Ω	27 W THD = 0.02%, RL = 6Ω	-
	S/N, IHF-A filter		≥99dB, LEVEL = Max	≥94dB, LEVEL = Max	≥100dB, LEVEL = Max
	Input Sensitivity	XLR 3-31	+4dBu, LEVEL = Center -6dBu, LEVEL = Max	+4dBu, LEVEL = Center -6dBu, LEVEL = Max	+4dBu, LEVEL = Center -6dBu, LEVEL = Max
		PHONE	-	10dBu, LEVEL = Cente -20dBu, LEVEL = Max	-
	Input Connectors, Impedance		XLR-3-31 (balanced), 10kΩ	XLR-3-31 (balanced), 10kΩ PHONE (unbalanced), 10kΩ	XLR-3-31 x 3 (balanced), 10kΩ
	Output Connectors		-	-	XLR-3-32 x 3 (balanced), Parallel connection with Input
	Controls	Level Control	31 Positions Detent type VR (Min = -∞Attenuation)	31 Positions Detent type VR (Min = -∞Attenuation)	Center Click VR (Min = -∞Attenuation)
		LOW CUT Switch	FLAT/80Hz (12dB/oct)/100Hz (12dB/oct)	-	-
		HIGH TRIM	+1.5/0/-1.5dB at 15kHz	+1.5/0/-1.5dB at 15kHz	-
		LOW TRIM	+1.5/0/-1.5/-3dB at 45Hz	+1.5/0/-1.5/-3dB at 60Hz	-
		POWER Switch	on/off	on/off	on/off
		PHASE Switch	-	-	Normal/ Reverse
		LPF control	-	-	40-120Hz, 80Hz at Center Click
	Indicators	LED	Green: Power On Red: Clipping	Green: Power On Red: Clipping	Green: Power On Red: Clipping
Power Consumption		100W	60W	160W	

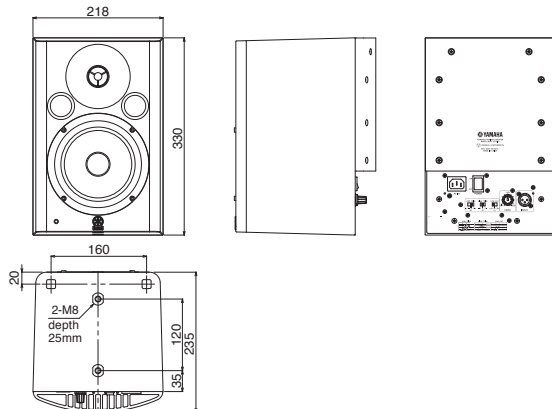
* These specifications apply to rated power supplies of 100, 120, 230 and 240 V.

* Specifications and appearance subject to change without notice.

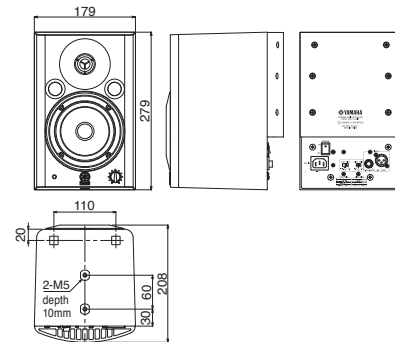
DIMENSIONS

unit : mm

MSP7 STUDIO



MSP5 STUDIO



SW10 STUDIO

