

The Lumens™ VC-G30SU HD Pan/Tilt/Zoom (PTZ) USB camera supports USB 3.0 Plug & Play. It is equipped with a professional 1/2.8 inch image sensor with Full HD 1080p output resolution with a high dynamic image of 60 frames per second.

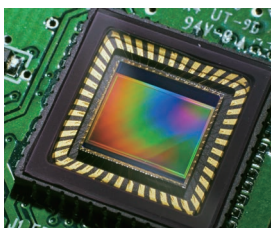
The superior 15x optical zoom lens, the excellent white balance, and exposure mode delivers a clear image even in low light or the extreme contrast of brightness and darkness in a conference room. The camera covers a wide shooting angle and utilizes a highly efficient motor control to achieve high-speed, quiet and precise positioning with smooth PTZ operations. The VC-G30SU supports 3G-SDI, DVI, component, and C-Video interfaces allowing four simultaneous image outputs with the best possible image quality and is compatible with all video equipment. VC-G30SU is ideally suited for lecture recording, videoconferencing and other environments.

## Key Features

- Full HD 1080p high definition signal output format with a high frame rate of 60 fps
- 180 times variable zoom ratio (15x optical zoom with 12x digital zoom)
- 3G-SDI, USB, DVI, Component, C-Video image output synchronously
- USB 3.0 Plug & Play and compatible with Windows, Linux, MAC OSX
- Wide Pan/Tilt/Zoom mechanism:  
Horizontal viewing angle:  $-170^{\circ}$  to  $+170^{\circ}$   
Tilting angle up to  $90^{\circ}$ , and down to  $-30^{\circ}$
- Up to 128 user-defined preset modes to allow for ease of use in all environments
- High speed, stable, quiet, and precise positioning ensures quality images



## More Details



### Image Quality

Equipped with a professional 1/2.8 inch image sensor with Full HD 1080p output resolution providing high color reproduction, high definition, and a crystal-clear image.



### Wide Range Pan/Tilt/Zoom Action

The high efficient motor controls a wide shooting area (pan angle: from  $-170^{\circ}$  to  $+170^{\circ}$ ; tilt angle from  $-30^{\circ}$  to  $+90^{\circ}$ ), as well as quiet, fast, and precise positioning movements.



### Multiple Signal Formats

VC-G30SU is able to switch video output formats from Full HD 1080p, 720p, and SD for compatibility with various display devices.



### 3G-SDI Interface

Support 3G-SDI standard interface for transmitting uncompressed digital video signal without any delay, with the transmission distance of up to 150 meters.



## 128 Preset Positions

Up to 128 preset settings for pan, tilt, zoom, focus, exposure and white balance modes make video recording effective and efficient.



## RS-232/422 Remote Control

Camera settings and PTZ control functions to be performed remotely at any location and at high communication speeds via the RS-232/422 interface.



## USB 3.0 Plug & Play

VC-G30SU uses standard UVC drivers, no need to install special USB drivers. It can work seamlessly with any software running on any OS that supports USB 3.0 devices.



## Image Flip

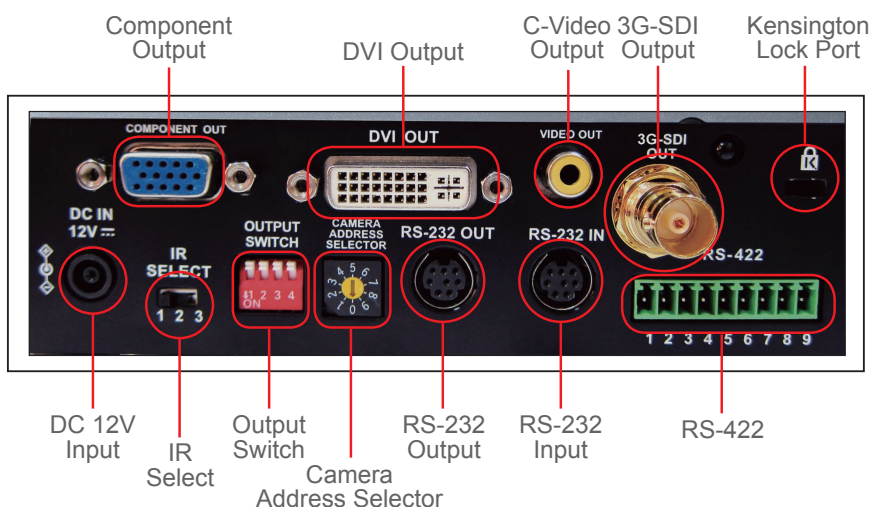
Built-in image flip and mirror function allows various installations on a desktop or mounting on the ceiling depending on the users requirements.

## Product Specifications

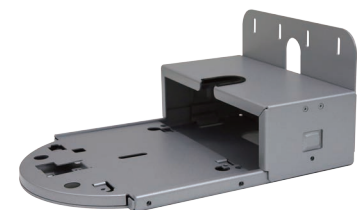
<b>Sensor</b>	1/2.8" 2 MP CMOS
<b>Video Output</b>	1080p 60 / 59.94 / 50 / 30 / 29.97 fps, 1080i 50 / 60 fps, 720p 60 / 59.94 / 50 fps, 720p 30 / 25 fps, NTSC / PAL
<b>Optical Zoom</b>	15x
<b>Panning Angle</b>	-170° ~ +170°
<b>Tilting Angle</b>	-30° ~ +90°
<b>Preset Positions</b>	128
<b>Video Output(HD) Interface</b>	Component, DVI, 3G-SDI
<b>Video Output(SD) Interface</b>	CVBS (C-Video)
<b>Camera Control Interface/Protocol</b>	RS-232 / RS-422
<b>Video S/N Ratio</b>	> 50dB

<b>Shutter Speed</b>	1/1 ~ 1/10,000 sec
<b>Focal Length</b>	f = 4.7 ~ 70.5 mm
<b>Horizontal Viewing Angle</b>	63°
<b>Aperture</b>	F1.6 ~ 3.5
<b>Minimum Illumination</b>	1.64 lux (F1.6, 50 IRE, 30fps)
<b>Minimum Object Distance</b>	100(Wide) ~ 1000(Tele) mm
<b>Digital Zoom</b>	12x
<b>Gain Control</b>	Auto, manual
<b>White Balance</b>	Auto, indoor, outdoor, one-push, manual
<b>Exposure Control</b>	Auto, manual
<b>Focus System</b>	Auto, manual
<b>Image Flip</b>	Yes
<b>Weight</b>	2.0 kg (4.4 lbs)
<b>Dimensions(W x D x H)</b>	Black 174 x 186 x 182.7 mm (6.9" x 7.3" x 7.2") White 174 x 186 x 185.7 mm (6.9" x 7.3" x 7.3")

## I/O CONNECTIONS



## Optional Accessory



VC-AC08 Wall Mount