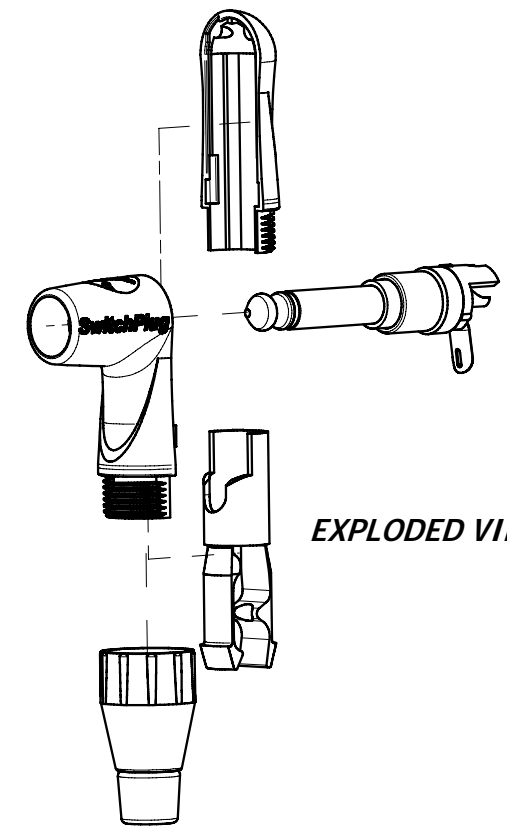
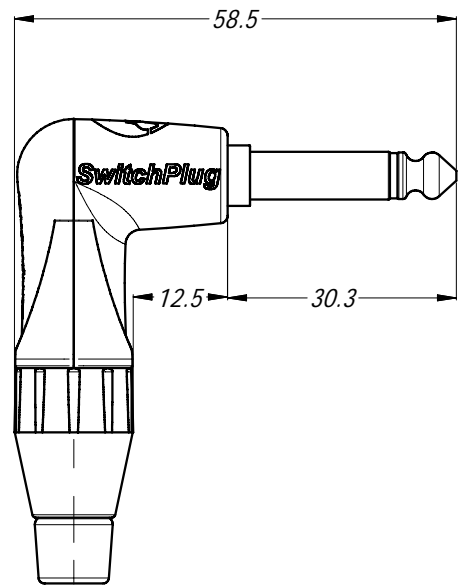
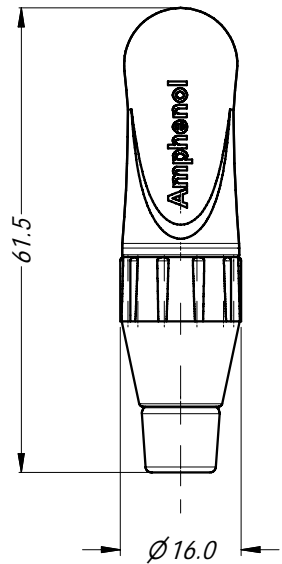


LEGEND  = KEY PRODUCT CHARACTERISTICS

REVISION HISTORY				
REV	DESCRIPTION	BY	DATE	ECN
0	FIRST ISSUE	T.N	26/11/10	8968



**PEAK**  
CONFERENCE  
www.PeakConference.com

PART NUMBER BREAKDOWN

**TM1R B J - AU BULK**

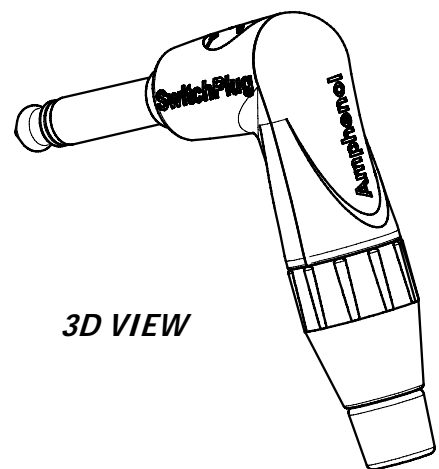
SERIES DESIGNATION

SHELL FINISH  
BLANK: NICKEL  
B: BLACK

CONTACT FINISH  
BLANK: NICKEL  
AU: GOLD

CABLE CLAMP  
BLANK: STANDARD  
J: LARGE

PACKING:  
BLANK: SINGLE  
BULK: BULK PACK



3D VIEW

NOTES:

- STANDARD JAW CABLE CLAMP (BLACK) USED FOR CABLE OD 3.0 mm TO 5.5mm  
LARGE JAW CABLE CLAMP (PURPLE) USED FOR CABLE OD 5.5mm TO 6.5mm

UNLESS OTHERWISE SPECIFIED TOLERANCE TO BE	
LINEAR	ANGULAR
X ± 0.5	X' ± 1
X.X ± 0.1	X.X' ± 30'
X.XX ± 0.05	X.XX' ± 15'

BREAK ALL SHARP EDGES AND REMOVE ALL BURRS

DO NOT SCALE

DIMENSIONS IN MILLIMETRES

THIS DOCUMENT IS THE PROPERTY OF AMPHENOL AUSTRALIA PTY. LTD.  
NO PART THEREOF MAY BE REPRODUCED AND USED WITHOUT THE PRIOR WRITTEN CONSENT OF THE OWNER

MATERIAL: SEE COMPONENTS

FINISH: SEE PART No.



DRN: T.N DATE: 13/10/10

CKD: P.M DATE: 13/10/10

APP'D: P.M DATE: 13/10/10

SCALE: 1:1 SIZE: A4

**Amphenol** Amphenol Australia Pty.Ltd,  
2 Fiveways Blvd, Keysborough, VIC 3173

TITLE:  
**SWITCH PLUG  
RIGHT ANGLE  
PRO RANGE**

PART No.  
**SEE P/No. BREAKDOWN**

DRAWING No. **55010717-000-2** SHEET **2/2**

CAD FILE: 55010717000110