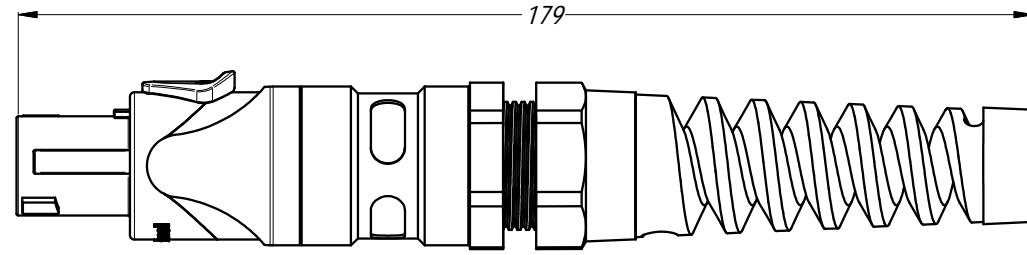
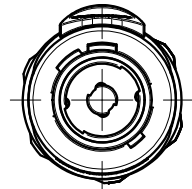
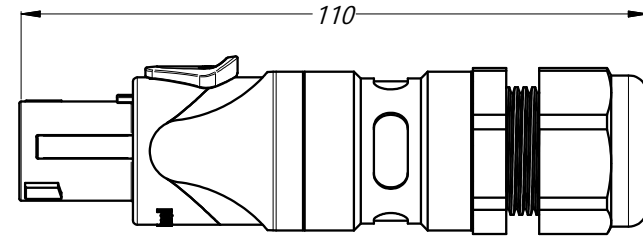
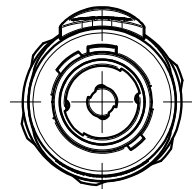


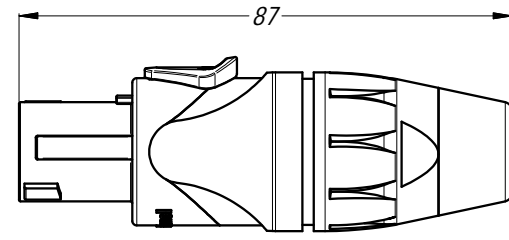
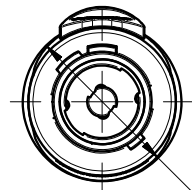
REVISION HISTORY					
REV	ZONE	DESCRIPTION	DATE	BY	ECN
1		FIRST RELEASE	30/11/11	T.N	9068



**SPEAKER PLUG  
PG GLAND STRAIN RELIEF**



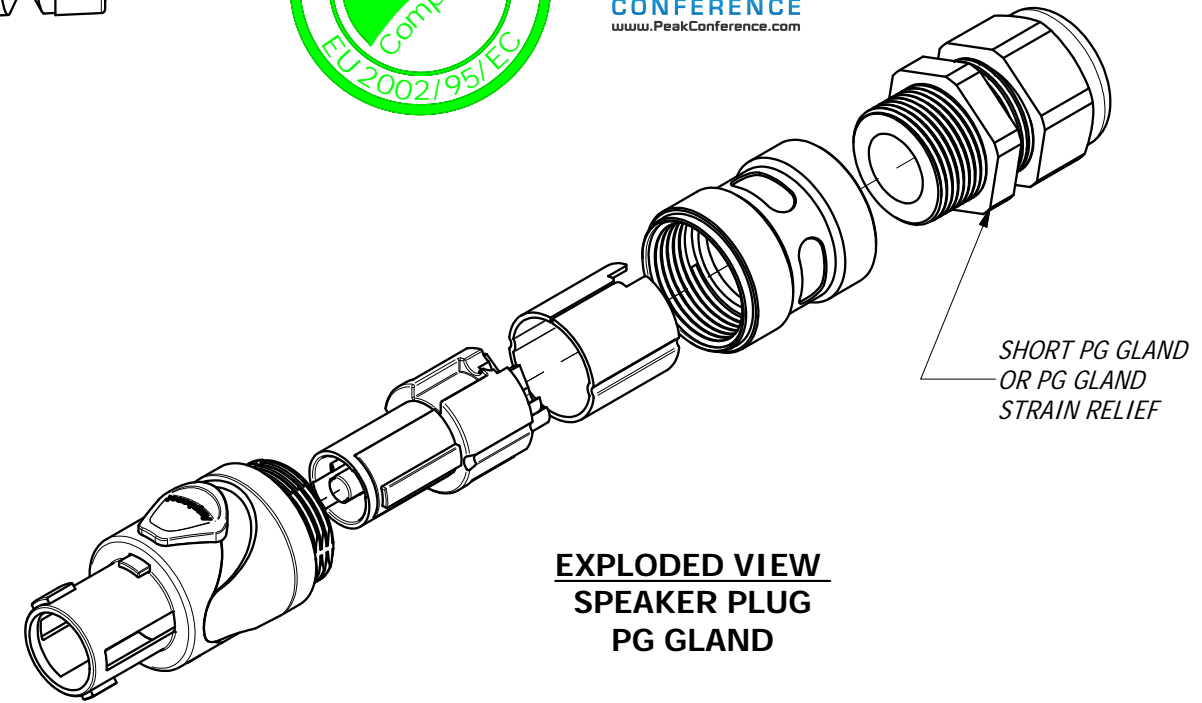
**SPEAKER PLUG  
PG GLAND**



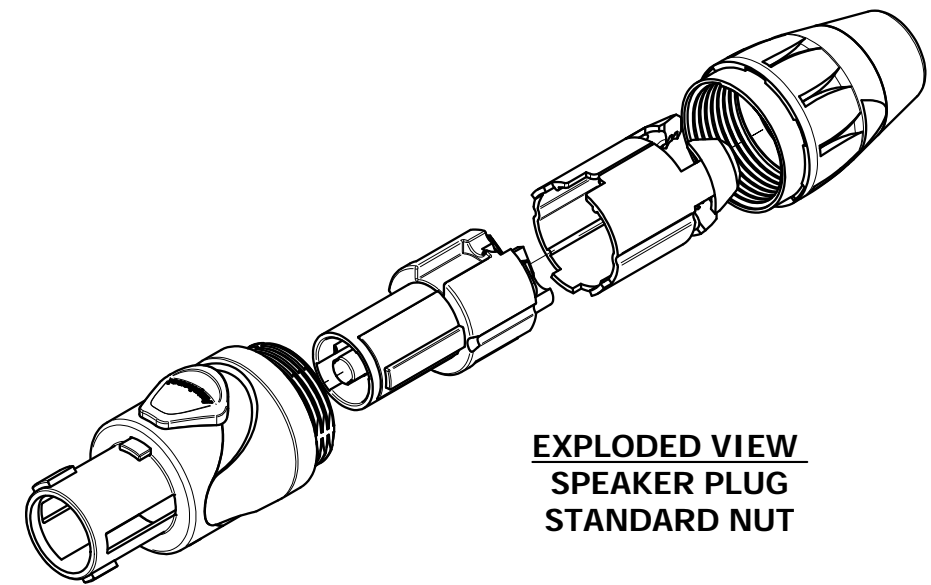
**SPEAKER PLUG  
STANDARD NUT**



**PEAK  
CONFERENCE**  
www.PeakConference.com

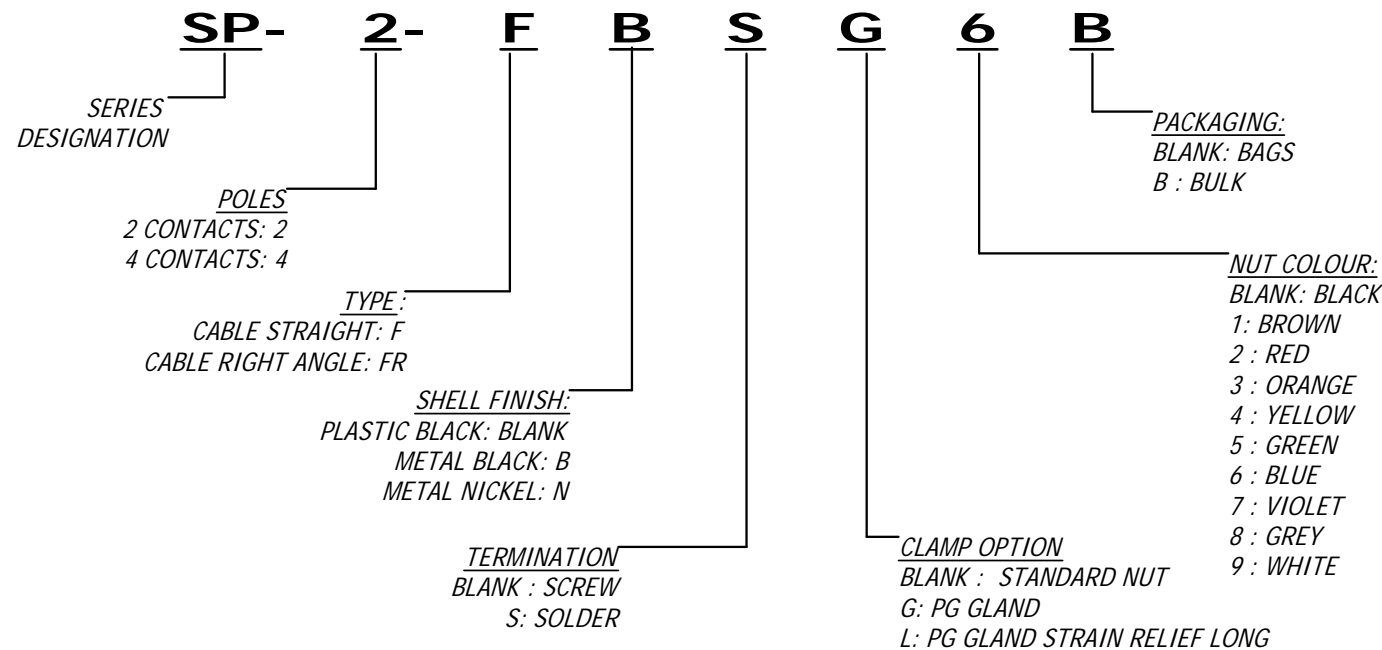


**EXPLODED VIEW  
SPEAKER PLUG  
PG GLAND**



**EXPLODED VIEW  
SPEAKER PLUG  
STANDARD NUT**

**PART NUMBER BREAKDOWN**



UNLESS OTHERWISE SPECIFIED TOLERANCE TO BE		THIS DOCUMENT IS THE PROPERTY OF AMPHENOL AUSTRALIA PTY. LTD. NO PART THEREOF MAY BE REPRODUCED AND USED WITHOUT THE PRIOR WRITTEN CONSENT OF THE OWNER				<b>Amphenol</b> Amphenol Australia Pty.Ltd, 2 Fiveways Blvd, Keysborough, VIC 3173	
LINEAR	ANGULAR	MATERIAL: <b>SEE COMPONENTS</b>		DRN: T.N	DATE: 30/11/11	TITLE: <b>LOUD SPEAKER CONNECTOR PLUG SP SERIES</b>	
X ±0.5	X' ±1	FINISH:		CKD: P.M	DATE: 30/11/11	PART No: <b>SEE P/No BREAKDOWN</b>	
X.X ±0.1	X.X' ±30'	DO NOT SCALE		APP'D: T.N	DATE: 30/11/11	DRAWING NO. <b>55010772-000-2</b>	
X.XX ±0.05	X.X'X' ±15'	DIMENSIONS IN MILIMETRES		SCALE: <b>NTS</b>	SIZE: <b>A3</b>	SHEET <b>2/2</b>	