

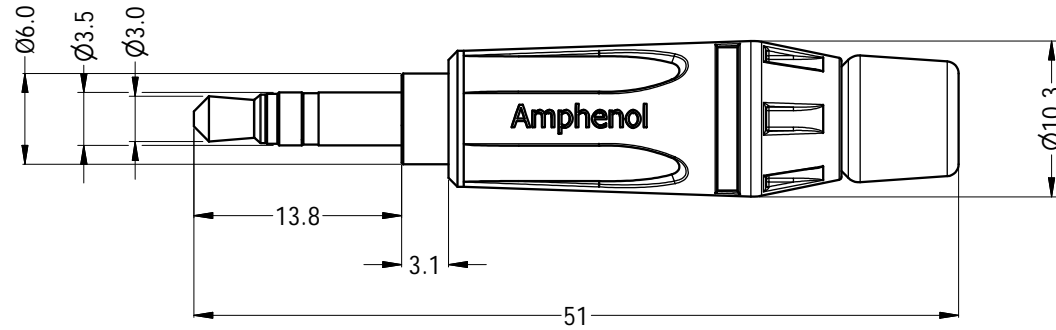
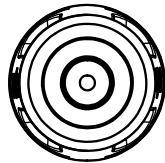
LEGEND = KEY PRODUCT CHARACTERISTICS

REVISION HISTORY

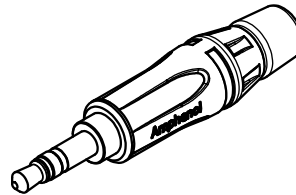
REV	DESCRIPTION	DATE	BY	ECN
0	FIRST ISSUE	16/08/2012	M.H	----



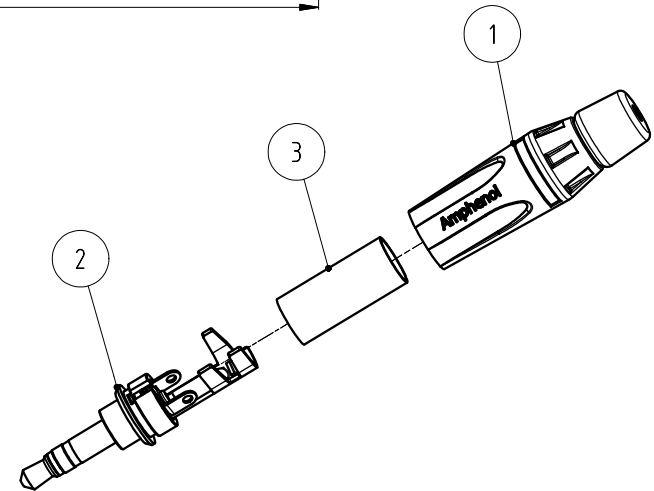
PEAK
CONFERENCE
www.PeakConference.com



PART NUMBER		
CAT NUMBER	SHELL FINISH	CONTACT FINISH
KS3PC	BLACK CHROME	NICKEL PLATING
KS3PC-AU	BLACK CHROME	GOLD PLATING



ISO VIEW (1 : 1)



EXPLORED VIEW (1 : 1)

ITEM	PART NUMBER	DESCRIPTION	QTY
3	51270077-521	INSULATE PVC TUBE CLEAR	1
2	51560105-121/321	STEREO INSERT ASSY GOLD/NICKEL PLATING	1
1	50440041-000/300/400	DIECAST SHELL BLACK CHROME/NICKEL/BLK FINISH	1

UNLESS OTHERWISE SPECIFIED TOLERANCE TO BE		THIS DOCUMENT IS THE PROPERTY OF AMPHENOL AUSTRALIA PTY. LTD. NO PART THEREOF MAY BE REPRODUCED AND USED WITHOUT THE PRIOR WRITTEN CONSENT OF THE OWNER	
LINEAR	ANGULAR	MATERIAL: SEE PARTS LIST & TABLE	DRN: T.Z DATE: 10-12-10
X ± 0.5	X' ± 1	FINISH: SEE TABLE	CKD: M.H DATE: 12-06-12
X.X ± 0.25	X.X' ± 30'	DO NOT SCALE	APP'D: P.M DATE: 12-06-12
X.XX ± 0.1	X.XX' ± 15'	DIMENSIONS IN MILLIMETRES	SCALE: 2:1 SIZE: A4

Amphenol Amphenol Australia Pty.Ltd,
2 Fiveways Blvd, Keysborough, VIC 3173

TITLE: **3.5mm STEREO PHONE PLUG CUSTOMER DRAWING**

PART No: **SEE TABLE**

DRAWING NO. **55010850-000-1** SHEET **1/1**

CAD FILE: 55010850000121

