

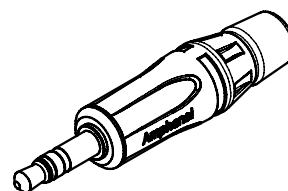
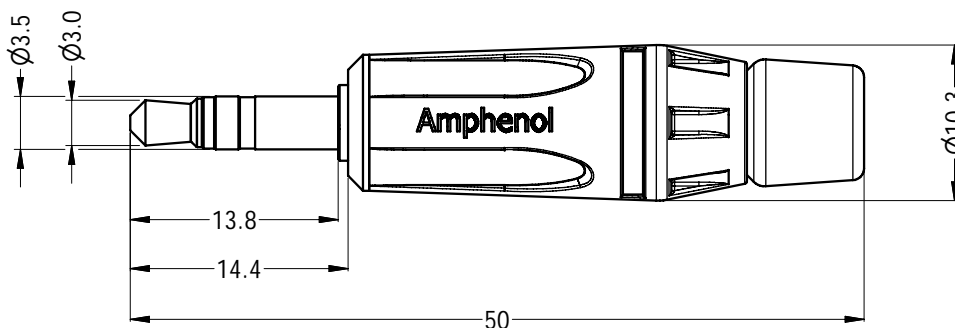
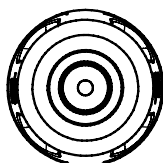
LEGEND = KEY PRODUCT CHARACTERISTICS

REVISION HISTORY

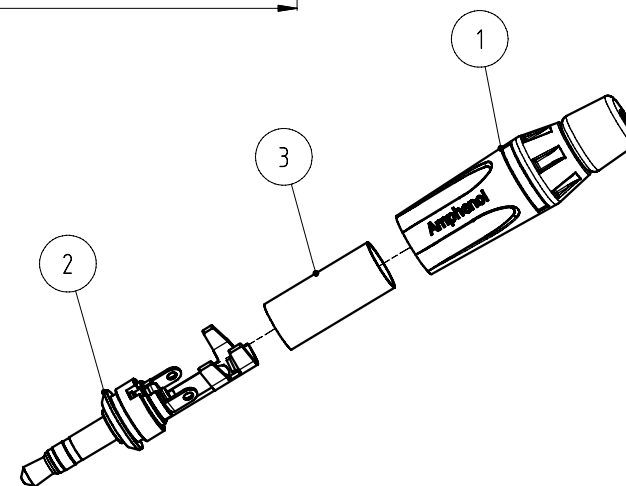
REV	DESCRIPTION	DATE	BY	ECN
0	FIRST ISSUE	10/12/2010	M.H	8984



PEAK
CONFERENCE
www.PeakConference.com



ISO VIEW (1 : 1)



EXPLORED VIEW (1 : 1)

3	51270077-521	INSULATE PVC TUBE CLEAR	1
2	51560089-321/121	STEREO INSERT ASSEMBLY NICKEL/BLACK	1
1	50440041-300/400	DIECAST SHELL NICKEL/BLACK FINISH	1
ITEM	PART NUMBER	DESCRIPTION	QTY

Parts List

PART NUMBER		
PART NUMBER	SHELL FINISH	CONTACT FINISH
KS3P	NICKEL	NICKEL RING, SLEEVE & TIP
KS3P-AU	NICKEL	GOLD RING, SLEEVE & TIP
KS3PB	BLACK	NICKEL RING, SLEEVE & TIP
KS3PB-AU	BLACK	GOLD RING, SLEEVE & TIP

UNLESS OTHERWISE SPECIFIED TOLERANCE TO BE		THIS DOCUMENT IS THE PROPERTY OF AMPHENOL AUSTRALIA PTY. LTD. NO PART THEREOF MAY BE REPRODUCED AND USED WITHOUT THE PRIOR WRITTEN CONSENT OF THE OWNER			
LINEAR	ANGULAR	MATERIAL:	DRN: T.Z	DATE: 10-12-10	TITLE: 3.5mm STEREO PHONE PLUG CUSTOMER DRAWING
X ± 0.5 X.X ± 0.25 X.XX ± 0.1	X' ± 1 X.X' ± 30' X.XX' ± 15'	SEE PARTS LIST & TABLE	CKD: M.H	DATE: 10-12-10	
BREAK ALL SHARP EDGES AND REMOVE ALL BURRS		FINISH: SEE TABLE	APP'D: P.M	DATE: 10-12-10	
DO NOT SCALE		DIMENSIONS IN MILLIMETRES	SCALE: 2:1	SIZE: A4	CAD FILE: 55010722000120

Amphenol Amphenol Australia Pty.Ltd,
2 Fiveways Blvd, Keysborough, VIC 3173

PART No:
SEE TABLE

DRAWING NO.
55010722-000-1 SHEET
1/2