

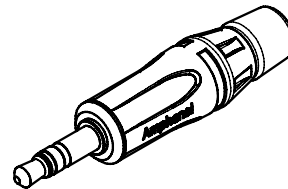
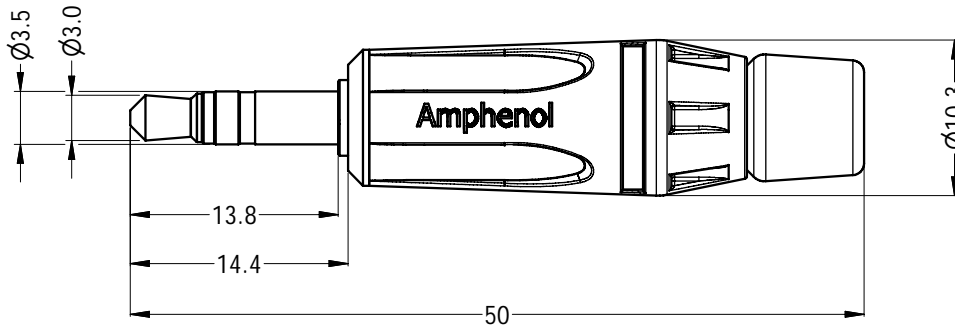
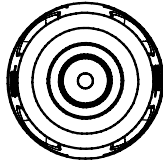
LEGEND = KEY PRODUCT CHARACTERISTICS

REVISION HISTORY

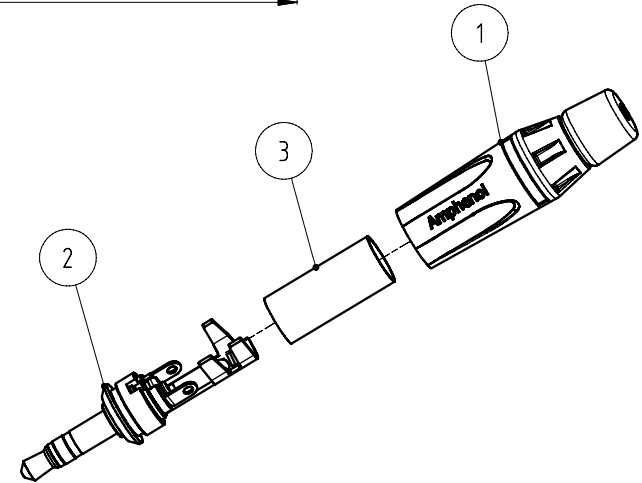
REV	DESCRIPTION	DATE	BY	ECN
0	FIRST ISSUE	10/12/2010	M.H	8984



PEAK
CONFERENCE
www.PeakConference.com



ISO VIEW (1 : 1)



EXPLORED VIEW (1 : 1)

ITEM	PART NUMBER	DESCRIPTION	QTY
3	51270077-521	INSULATE PVC TUBE CLEAR	1
2	51560089-321/121	STEREO INSERT ASSEMBLY NICKEL/BLACK	1
1	50440041-300/400	DIECAST SHELL NICKEL/BLACK FINISH	1
Parts List			

PART NUMBER		
PART NUMBER	SHELL FINISH	CONTACT FINISH
KS3P	NICKEL	NICKEL RING, SLEEVE & TIP
KS3P-AU	NICKEL	GOLD RING, SLEEVE & TIP
KS3PB	BLACK	NICKEL RING, SLEEVE & TIP
KS3PB-AU	BLACK	GOLD RING, SLEEVE & TIP

UNLESS OTHERWISE SPECIFIED TOLERANCE TO BE		THIS DOCUMENT IS THE PROPERTY OF AMPHENOL AUSTRALIA PTY. LTD. NO PART THEREOF MAY BE REPRODUCED AND USED WITHOUT THE PRIOR WRITTEN CONSENT OF THE OWNER				Amphenol Amphenol Australia Pty.Ltd, 2 Fiveways Blvd, Keysborough, VIC 3173	
LINEAR		ANGULAR		DRN: T.Z	DATE: 10-12-10	TITLE: 3.5mm STEREO PHONE PLUG CUSTOMER DRAWING	
X ± 0.5	X' ± 1			CKD: M.H	DATE: 10-12-10	PART No: SEE TABLE	
X.X ± 0.25	X.X' ± 30'			APP'D: P.M	DATE: 10-12-10	DRAWING NO. 55010722-000-1	
X.XX ± 0.1	X.XX' ± 15'			SCALE: 2:1		SIZE: A4	SHEET 1/2
BREAK ALL SHARP EDGES AND REMOVE ALL BURRS				DIMENSIONS IN MILLIMETRES		CAD FILE: 55010722000120	
DO NOT SCALE				FINISH: SEE TABLE		THIRD ANGLE PROJECTION	