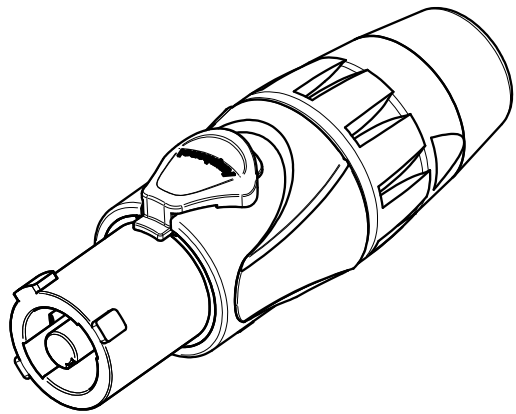
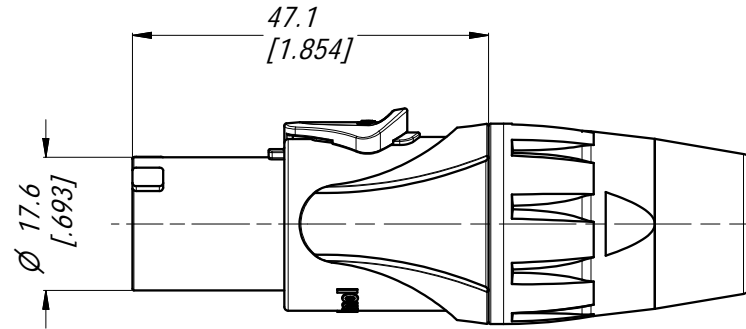
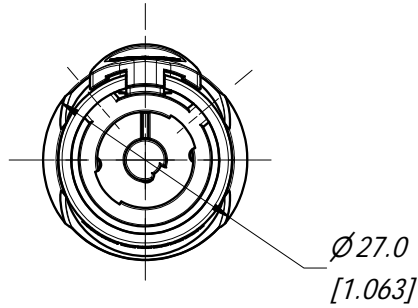
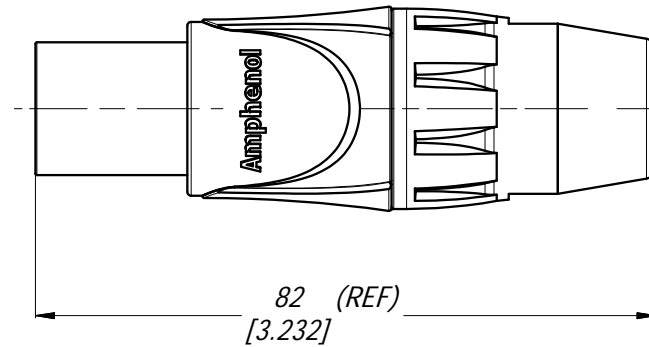


PEAK
CONFERENCE
www.PeakConference.com



3D VIEW
1:1



UL CERTIFICATE 20140623-E339831

UNLESS OTHERWISE SPECIFIED TOLERANCE TO BE		THIS DOCUMENT IS THE PROPERTY OF AMPHENOL AUSTRALIA PTY. LTD. NO PART THEREOF MAY BE REPRODUCED AND USED WITHOUT THE PRIOR WRITTEN CONSENT OF THE OWNER.				Amphenol		Amphenol Australia Pty.Ltd, 22 Industry Blvd Carrum Downs, VIC 3201	
LINEAR	ANGULAR	MATERIAL:	DRN:	T.N	DATE:	21/01/14	TITLE:	PART No:	REV
X ±	X' ±		CKD:	P.M	DATE:	22/01/14	CONNECTOR PLUG POWER IN - BLUE CUSTOMER DWG	HP-3-F	1
X.X ±	X.X' ±	BREAK ALL SHARP EDGES AND REMOVE ALL BURRS	APP'D:	P.M	DATE:	22/01/14			
X.XX ±	X.XX' ±	DO NOT SCALE	FINISH:		SCALE:	1:1	SIZE:	A4	2/2
DIMENSIONS IN MILLIMETRES		THIRD ANGLE PROJECTION						CB4.17.F1	