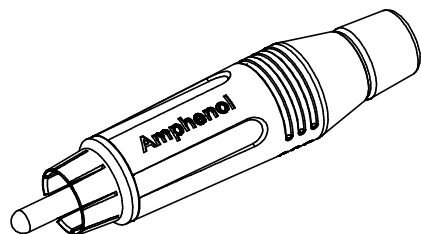
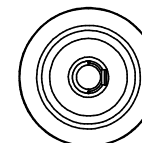
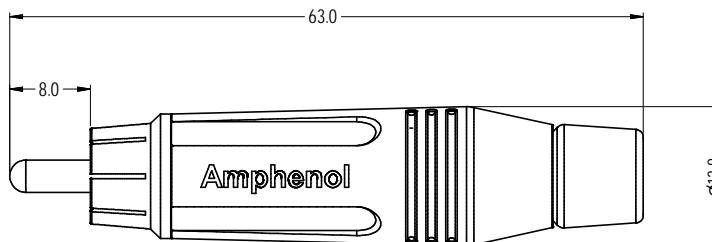




PEAK
CONFERENCE
www.PeakConference.com

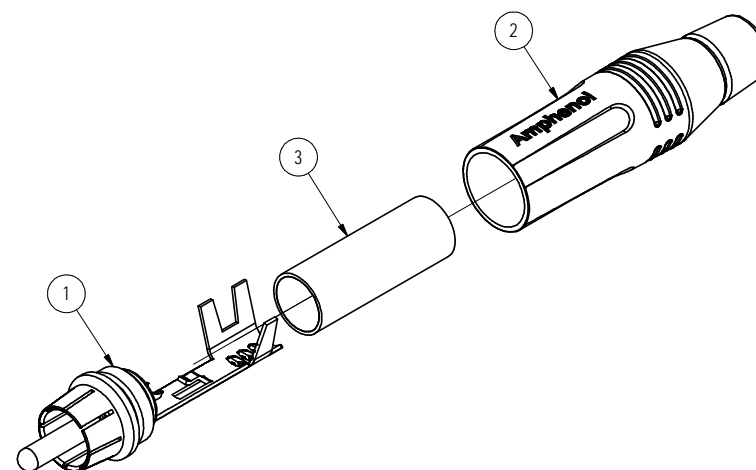


ISO VIEW



Part Numbers According to Backshell and Grommet Finish				
CATALOGUE P/No	REFERENCE P/No.	BACKSHELL ASSEMBLY P/No.	SHELL FINISH	GROMMET FINISH
ACPR-SBK	55010299-000	53490001-331	NICKEL	BLACK
ACPR-BLK	55010299-001	53490001-431	BLACK	BLACK
ACPR-BRN	55010299-002	53490001-031	BROWN	BROWN
ACPR-RED	55010299-003	53490001-131	RED	RED
ACPR-YEL	55010299-004	53490001-231	YELLOW	YELLOW
ACPR-GRN	55010299-005	53490001-531	GREEN	GREEN
ACPR-BLU	55010299-006	53490001-631	BLUE	BLUE
ACPR-VIO	55010299-007	53490001-731	VIOLET	VIOLET
ACPR-GRY	55010299-008	53490001-831	GREY	GREY
ACPR-WHT	55010299-009	53490001-931	WHITE	WHITE
ACPR-SRD	55010299-010	53490001-332	NICKEL	RED
ACPR-SYL	55010299-011	53490001-333	NICKEL	YELLOW
ACPR-SGR	55010299-012	53490001-334	NICKEL	GREEN
ACPR-SBL	55010299-013	53490001-335	NICKEL	BLUE
ACPR-SWH	55010299-014	53490001-336	NICKEL	WHITE

Parts List				
ITEM	PART NUMBER	DWG No	DESCRIPTION	QTY
1	50310024-130	50310024-130-1	MALE RCA PLUG INSERT ASSEMBLY	1
2	REFER TO TABLE	53490001-331-1	1/4" PHONE PLUG BACKSHELL ASSEMBLY	1
3	51270016-521	51270013-521-1	M-SERIES PLASTIC BIG TUBE	1



UNLESS OTHERWISE SPECIFIED TOLERANCE TO BE		THIS DOCUMENT IS THE PROPERTY OF AMPHENOL AUSTRALIA PTY. LTD. NO PART THEREOF MAY BE REPRODUCED AND USED WITHOUT THE PRIOR WRITTEN CONSENT OF THE OWNER			0	FIRST ISSUE	L.V	03-06-04	----	
LINEAR	ANGULAR	CAD FILE: 55010299000110	DSD:	L.V	DATE: 03-06-04	REV.	CHANGE DETAILS	BY	DATE	CHG/No
X ± 0.5	X ± 1	MATL: REFER TO COMPONENT	CKD:	M.N.H	DATE: 07-09-05	TITLE: MALE RCA PLUG ASSEMBLY		Amphenol Australia Pty Ltd, 2 Pineway Blvd, Kaysborough, Vic 3171		
Xx ± 0.1	X'x' ± 30'	DO NOT SCALE	APP'D:	P.M	DATE: 07-09-05	DRAWING NO. 55010299-000-1		SHEET 1/1		
XXX ± 0.05	XXX' ± 30'	FINISH: REFER TO TABLE	SCALE: 2:1 UOS		PART No: 55010299000111	SIZE: A3	55010299-000-1		1/1	
BREAK ALL SHARP EDGES AND REMOVE ALL BURRS		THIRD ANGLE PROJECTION								