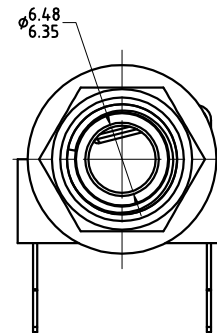
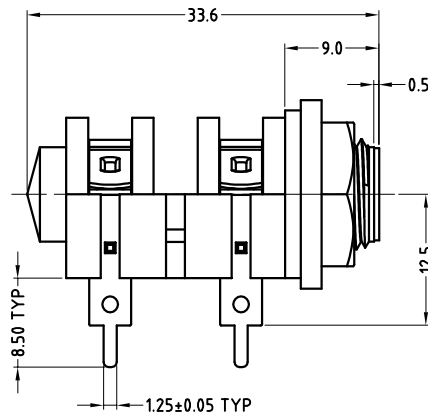
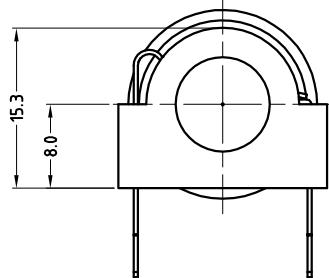
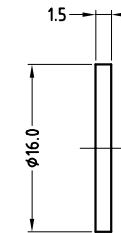




**PEAK**  
CONFERENCE  
www.PeakConference.com

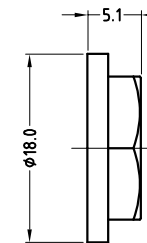


**FIBRE WASHER**

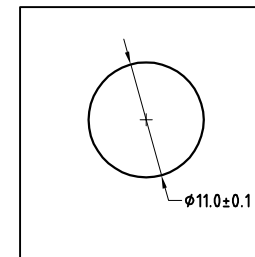
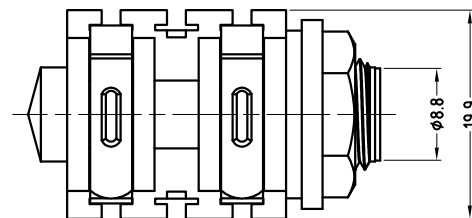
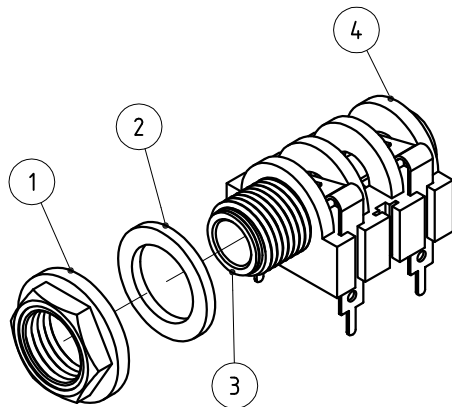
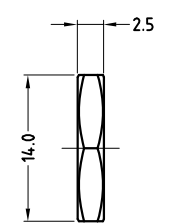


**NUT OPTIONS**

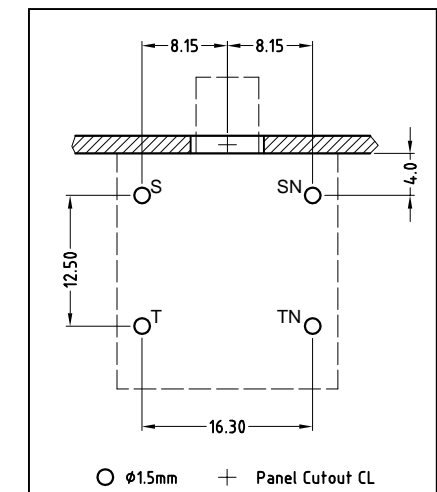
**PLASTIC NUT**



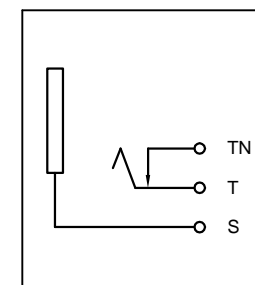
**METAL NUT**



**PANEL CUTOUT**



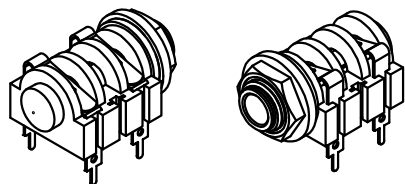
**PCB LAYOUT**



**SCHEMATIC**

ITEM	DESCRIPTION
1	METAL/PLASTIC NUT
2	FIBRE WASHER
3	METAL TUBE INSERT
4	CONNECTOR ASSEMBLY

PART No.	CATALOG No.	DESCRIPTION
55010096-000	ACJM-MC	METAL NUT
55010096-001	ACJM-PC	PLASTIC NUT



**ISO VIEW**

UNLESS OTHERWISE SPECIFIED TOLERANCE TO BE		THIS DOCUMENT IS THE PROPERTY OF AMPHENOL AUSTRALIA PTY. LTD.. NO PART THEREOF MAY BE REPRODUCED AND USED WITHOUT THE PRIOR WRITTEN CONSENT OF THE OWNER			
LINEAR	ANGULAR	CAD FILE: 55010096000111	DRN: L.V	DATE: 17-10-01	REV. 0
X ± 0.5	X° ± 1°	MATL: REFER TO COMPONENT	CKD: M.N.H	DATE: 13-01-06	REV. 1
X.X ± 0.1	X°X' ± 30'	FINISH: REFER TO COMPONENT	APP'D: P.M	DATE: 13-01-06	REV. 2
X.XX ± 0.05	X°X'X" ± 15'	DIMENSIONS IN MILLIMETRES		THIRD ANGLE PROJECTION	SCALE: 2:1 UOS

1	CHANGE DRAWING NUMBER & PART VARIATION NUMBER	L.V	07-07-04	8293
0	FIRST ISSUE	L.V	17-10-01	----
REV.	CHANGE DETAILS	BY	DATE	CHG/No
TITLE: 1/4" MONO JACK PCB & SODLER LUG CUSTOMER DRAWING		Amphenol Australia Pty Ltd, 2 Fineways Blvd, Keysborough, Vic 3173		
DRAWING NO. 55010096-000-1		SHEET 1 OF 1		