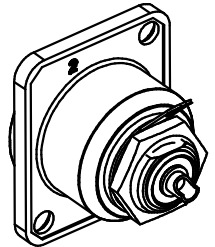
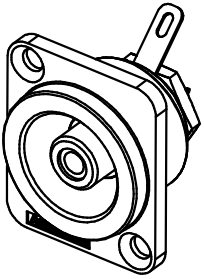
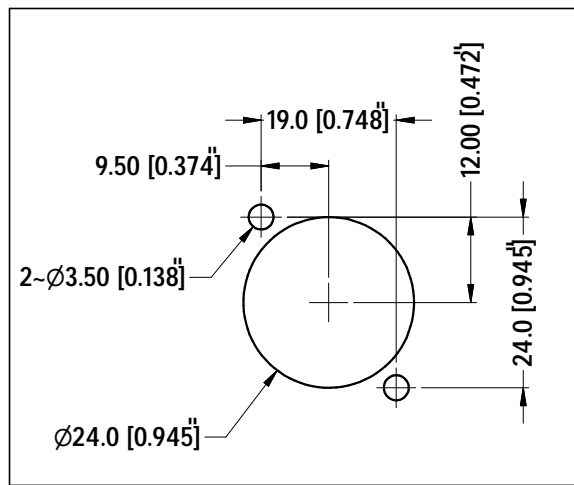
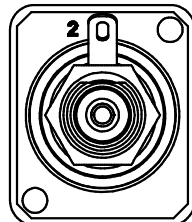
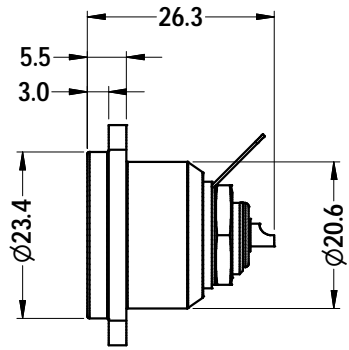
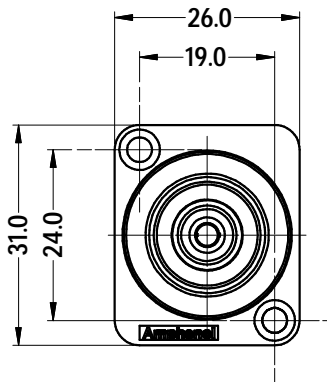


Part Number according to Shell Finish and Colour Insulator

CAT P/No.	REF P/No.	SHELL FINISH	INSULATOR COLOUR
ACJD-BLK	55010329-000	NICKEL	BLACK
ACJD-RED	55010329-001	NICKEL	RED
ACJD-ORG	55010329-002	NICKEL	ORANGE
ACJD-YEL	55010329-003	NICKEL	YELLOW
ACJD-GRN	55010329-004	NICKEL	GREEN
ACJD-BLU	55010329-005	NICKEL	BLUE
ACJD-VIO	55010329-006	NICKEL	VIOLET
ACJD-GRY	55010329-007	NICKEL	GREY
ACJD-WHT	55010329-008	NICKEL	WHITE
ACJB-BLK	55010329-009	MATT BLACK	BLACK
ACJB-RED	55010329-010	MATT BLACK	RED
ACJB-ORG	55010329-011	MATT BLACK	ORANGE
ACJB-YEL	55010329-012	MATT BLACK	YELLOW
ACJB-GRN	55010329-013	MATT BLACK	GREEN
ACJB-BLU	55010329-014	MATT BLACK	BLUE
ACJB-VIO	55010329-015	MATT BLACK	VIOLET
ACJB-GRY	55010329-016	MATT BLACK	GREY
ACJB-WHT	55010329-017	MATT BLACK	WHITE



ISO VIEW

UNLESS OTHERWISE SPECIFIED TOLERANCE TO BE	
LINEAR	ANGULAR
X ± 0.5	X' ± 1
XX ± 0.1	XX' ± 30'
XXX ± 0.05	XXX' ± 15'

THIS DOCUMENT IS THE PROPERTY OF AMPHENOL AUSTRALIA PTY. LTD.. NO PART THEREOF MAY BE REPRODUCED AND USED WITHOUT THE PRIOR WRITTEN CONSENT OF THE OWNER			
CAD FILE: 55010329000221	DRN: L.V	DATE: 02-07-05	
MATL: REFER TO COMPONENT	CKD: M.N.H	DATE: 04-05-06	
FINISH: REFER TO COMPONENT	APP'D: P.M	DATE: 04-05-06	
DIMENSIONS IN MILLIMETRES	THIRD ANGLE PROJECTION	SCALE: 1:1 UOS	PART No: REFER TO TABLE

1	UPDATE TO MODIFIED COMPONENTS ADD SHEET 2 OF 2 FOR CUSTOMER DRAWING	LV	23-11-05	8462
0	FIRST ISSUE	LV	02-07-05	----
REV.	CHANGE DETAILS	BY	DATE	CHG/No
TITLE: RCA & D-SHELL CONNECTOR CUSTOMER DWG		Amphenol		
DRAWING NO. 55010329-000-2		SHEET 2 OF 2		