



CAM530

User Manual



FCC NOTICE (Class A)



This device complies with Part 15 of the FCC Rules. Operation is subject to the following two conditions: (1) this device may not cause harmful interference, and (2) this device must accept any interference received, including interference that may cause undesired operation.

Federal Communications Commission Statement

NOTE- This equipment has been tested and found to comply with the limits for a Class A digital device, pursuant to Part 15 of the FCC Rules. These limits are designed to provide reasonable protection against harmful interference in a residential installation. This equipment generates uses and can radiate radio frequency energy and, if not installed and used in accordance with the instructions, may cause harmful interference to radio communications. However, there is no guarantee that interference will not occur in a particular installation. If this equipment does cause harmful interference to radio or television reception, which can be determined by tuning the equipment off and on, the user is encouraged to try to correct the interference by one or more of the following measures:

- Reorient or relocate the receiving antenna.
- Increase the separation between the equipment and receiver.
- Connect the equipment into an outlet on a circuit different from that to which the receiver is connected.
- Consult the dealer or an experienced radio/television technician for help.

Class A ITE

Class A ITE is a category of all other ITE which satisfies the class A ITE limits but not the class B ITE limits. Such equipment should not be restricted in its sale but the following warning shall be included in the instructions for use:

Warning -This is a class A product. In a domestic environment this product may cause radio interference in which case the user may be required to take adequate measures.



European Community Compliance Statement (Class A)

This product is herewith confirmed to comply with the requirements set out in the Council Directives on the Approximation of the laws of the Member States relating to Electromagnetic Compatibility Directive 2014/30/EU.

Warning - This is a Class A product. In a domestic environment this product may cause radio interference in which case the user may be required to take adequate measures to correct this interference.

DISCLAIMER

No warranty or representation, either expressed or implied, is made with respect to the contents of this documentation, its quality, performance, merchantability, or fitness for a particular purpose. Information presented in this documentation has been carefully checked for reliability; however, no responsibility is assumed for inaccuracies. The information contained in this documentation is subject to change without notice.

In no event will AVer Information Inc. be liable for direct, indirect, special, incidental, or consequential damages arising out of the use or inability to use this product or documentation, even if advised of the possibility of such damages.

TRADEMARKS

“AVer” is a trademark owned by AVer Information Inc. Other trademarks used herein for description purpose only belong to each of their companies.

COPYRIGHT

©2016 AVer Information Inc. All rights reserved.

All rights of this object belong to AVer Information Inc. Reproduced or transmitted in any form or by any means without the prior written permission of AVer Information Inc. is prohibited. All information or specifications are subject to change without prior notice.

NOTICE

SPECIFICATIONS ARE SUBJECT TO CHANGE WITHOUT PRIOR NOTICE. THE INFORMATION CONTAINED HEREIN IS TO BE CONSIDERED FOR REFERENCE ONLY.

WARNING

TO REDUCE RISK OF FIRE OR ELECTRIC SHOCK, DO NOT EXPOSE THIS APPLIANCE TO RAIN OR MOISTURE. WARRANTY WILL BE VOID IF ANY UNAUTHORIZED MODIFICATIONS ARE DONE TO THE PRODUCT.

Remote Control Battery Safety Information

- Store batteries in a cool and dry place.
- Do not throw away used batteries in the trash. Properly dispose used batteries through specially approved disposal methods.
- Remove the batteries if they are not in use for long periods of time. Battery leakage and corrosion can damage the remote control. Dispose of batteries safely and through approved disposal methods.
- Do not use old batteries with new batteries.
- Do not mix and use different types of batteries: alkaline, standard (carbon-zinc) or rechargeable (nickel-cadmium).
- Do not dispose of batteries in a fire.
- Do not attempt to short circuit the battery terminals.

Contents

Package Contents	1
Product Introduction.....	2
Camera.....	2
Remote Control.....	3
Setup CAM530	5
Device Connection.....	5
Mounting Camera	6
Use CAM530	7
Make a Video Call.....	7
LED Indicator.....	7
AVer PTZApp	8
Install AVer PTZApp	8
Use AVer PTZApp.....	8
Select Remote Control.....	13
Set the Camera Number	14
Hotkey Control.....	15

Package Contents



1. CAM530
2. Mount (mounting screws are included)
3. Power Cord* & Power adapter
4. Remote Control
5. USB cable
6. HDMI cable
7. DIM6-to-RS232 converter
8. AAA Batteries (x2)
9. User Manual

* The power cord will vary depending on the standard power outlet of the country where it is sold.

DIP Switch Adjustments Described

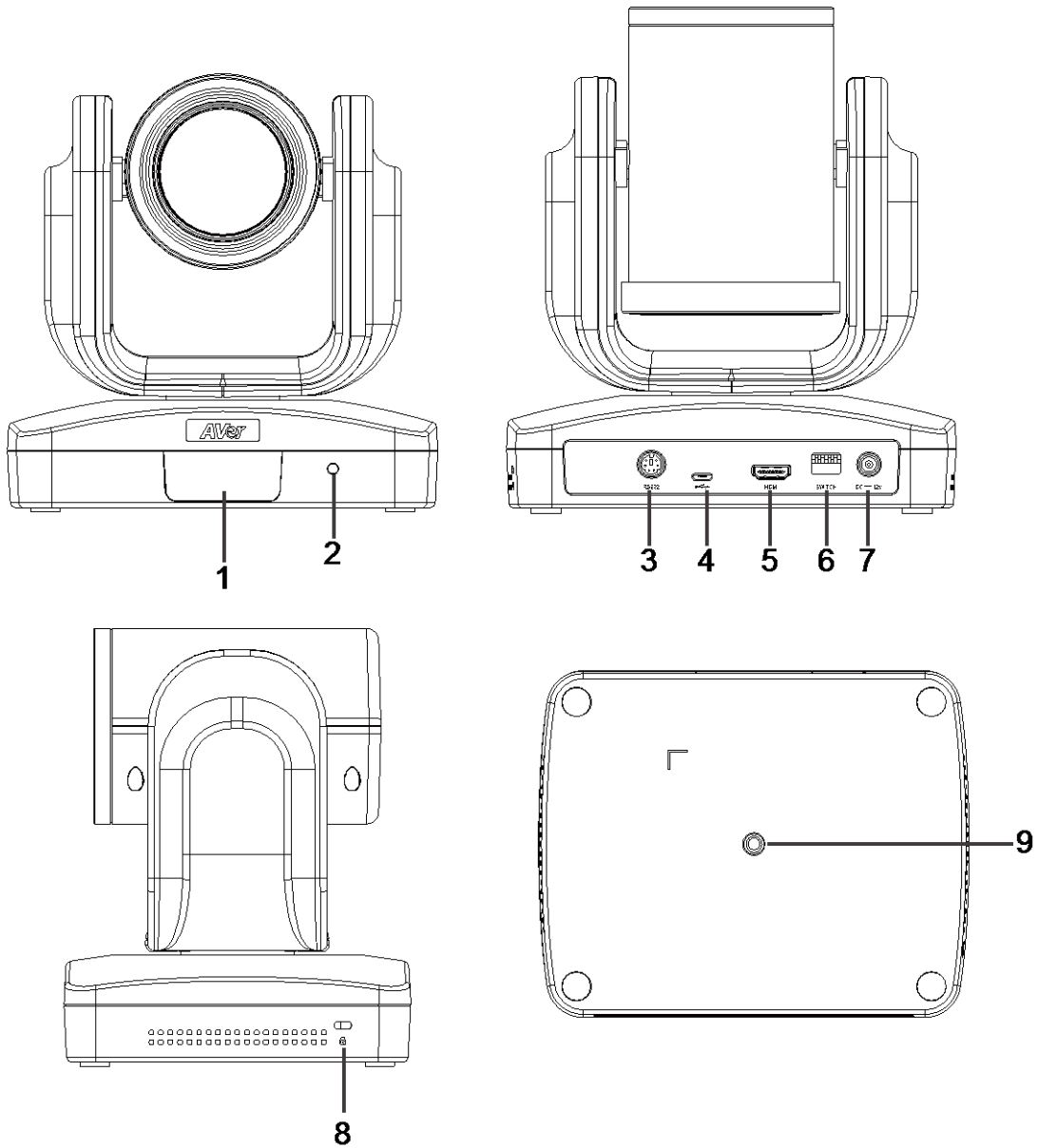
The diagram to the right can be used to adjust the CAM530 resolution setting.

After adjusting resolution via DIP switch, users can't use remote control to adjust the resolution setup from OSD menu.

Switch position	Resolution
<input type="checkbox"/> 1 <input type="checkbox"/> 2 <input type="checkbox"/> 3 <input type="checkbox"/> 4	Auto
<input type="checkbox"/> 1 <input type="checkbox"/> 2 <input type="checkbox"/> 3 <input checked="" type="checkbox"/> 4	1080P / 60
<input type="checkbox"/> 1 <input type="checkbox"/> 2 <input checked="" type="checkbox"/> 3 <input type="checkbox"/> 4	1080P / 30
<input checked="" type="checkbox"/> 1 <input type="checkbox"/> 2 <input type="checkbox"/> 3 <input type="checkbox"/> 4	—
<input type="checkbox"/> 1 <input checked="" type="checkbox"/> 2 <input type="checkbox"/> 3 <input type="checkbox"/> 4	—
<input type="checkbox"/> 1 <input type="checkbox"/> 2 <input checked="" type="checkbox"/> 3 <input type="checkbox"/> 4	720P / 60
<input type="checkbox"/> 1 <input type="checkbox"/> 2 <input checked="" type="checkbox"/> 3 <input checked="" type="checkbox"/> 4	720P / 30
<input checked="" type="checkbox"/> 1 <input type="checkbox"/> 2 <input checked="" type="checkbox"/> 3 <input checked="" type="checkbox"/> 4	480P / 60

Product Introduction

Camera



1. IR Sensor

2. Power indicator

3. RS232 connection*

4. USB port

5. HDMI port

6. DIP switch

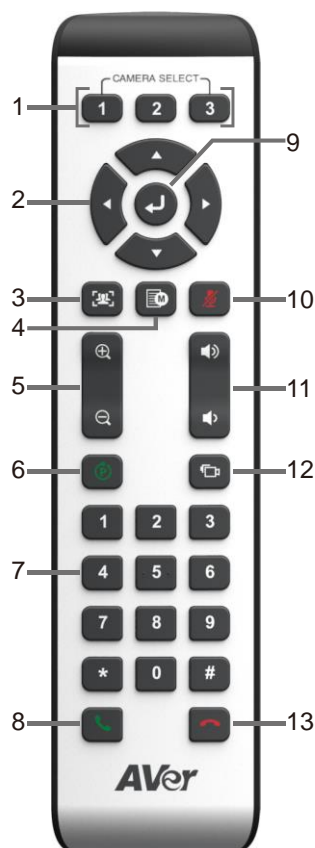
7. Power Jack

8. Kensington lock

9. Screw hole for mounting

* If you need a converter or instructions on how to use RS232, please contact AVer USA.

Remote Control



Name	Function
1. Camera select	One remote can control up to 3 AVer VC/Cam. Please use the AVer PTZApp to set cameras to buttons 1 to 3. Once set, camera may be selected by a simple press of the camera select button.
2. Camera direction control	Position of the camera lens may be adjusted through the direction buttons. Long press of the button allows continuous pan or tilt of the camera.
3. FaceLumi	Enhance facial features by correcting skin tone and activates auto focus and auto exposure. This feature may be disabled when tilting, panning, zooming, or disconnecting camera.
4. OSD menu	Press to bring out the OSD menu.
5. Zoom in/Zoom out	Press to zoom in or zoom out.
6. Preset	<ul style="list-style-type: none"> ■ This feature allows user to go to a set position. ■ To save the camera at the desired position, press and hold the preset button until the "saved message" is displayed. Select preset position button 0 to 9 to save. ■ Pressing Preset + Preset Position Button (0 ~ 9) will move the camera to the saved position.
7. Preset position	Preset position button is used in conjunction with the Preset button to save positions. There are a total of 0 to 9 saves.

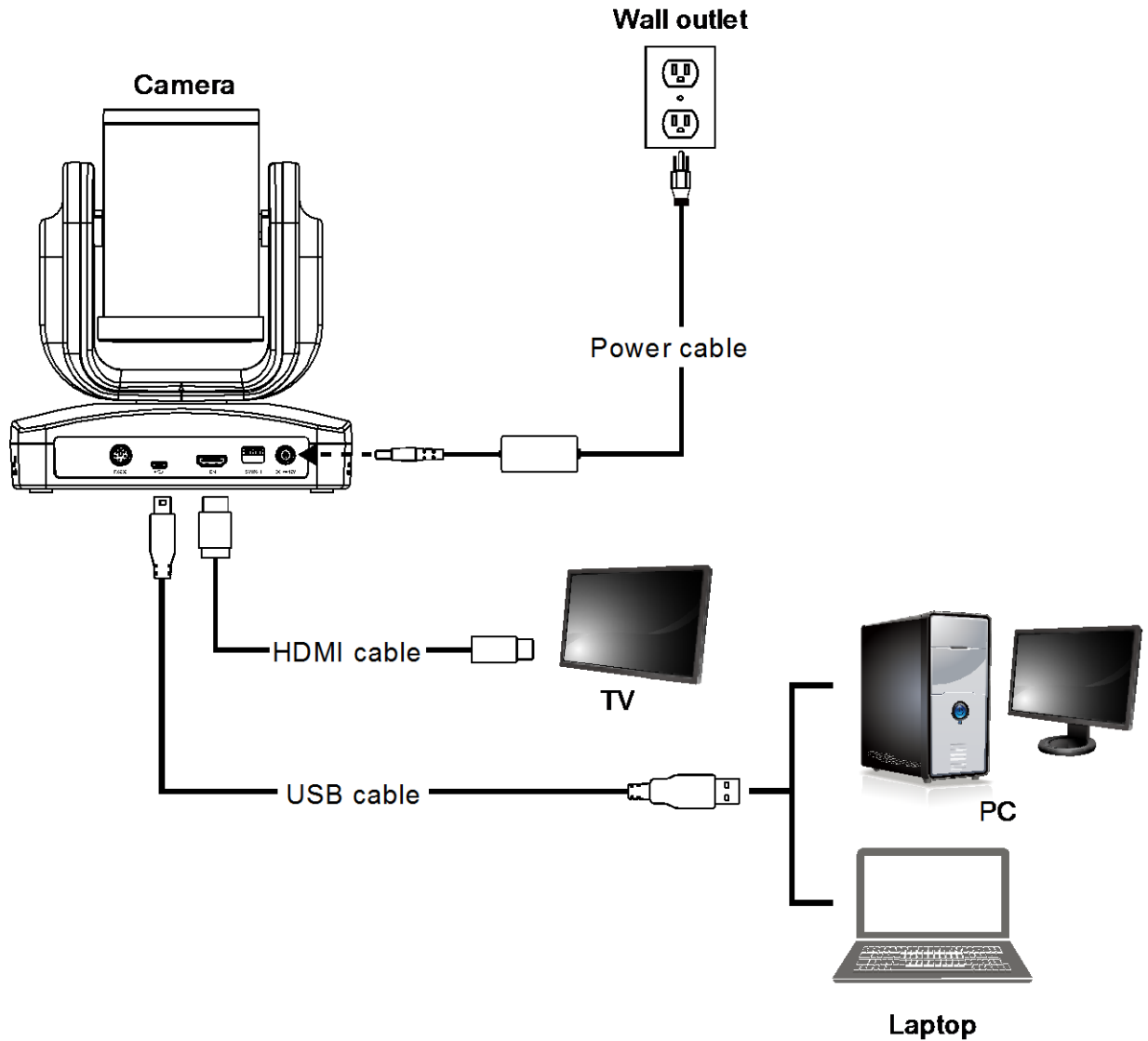
Name	Function
8. Call/answer*	Answer a call or start a call.
9. Enter	To confirm the selection in the OSD menu.
10. Mute/Unmute Speakerphone	Mute/Unmute the speakerphone.
11. Volume up/down	Adjust volume up or down.
12. Far site camera control	Press the Far/Near button to control the far site camera for pan, tilt, or zoom functions.
13. Hang up*	End the call.

* Function requires AVer PTZApp.

[Note] Volume control and mute buttons are not applicable to CAM530.

Setup CAM530

Device Connection



1. Use USB cable to connect the CAM530 to your PC/laptop (refer to diagram above).
2. Connect the power to the CAM530; power indicator will light up and camera head will rotate.
3. Install AVer PTZApp on laptop or PC that is connected with CAM530. The app can be used to adjust and setup the parameters of the camera (refer to section of AVer PTZApp).
4. To make a call, run your video application (Skype™, Microsoft®Lync™, Skype for Business, Google Hangouts™, Cisco WebEx®, GoToMeeting™, WebRTC, and etc.) select CAM530 as your video device.
5. PTZ function can be controlled by 3rd party system via using Din6-to-RS2323 cable to connect.

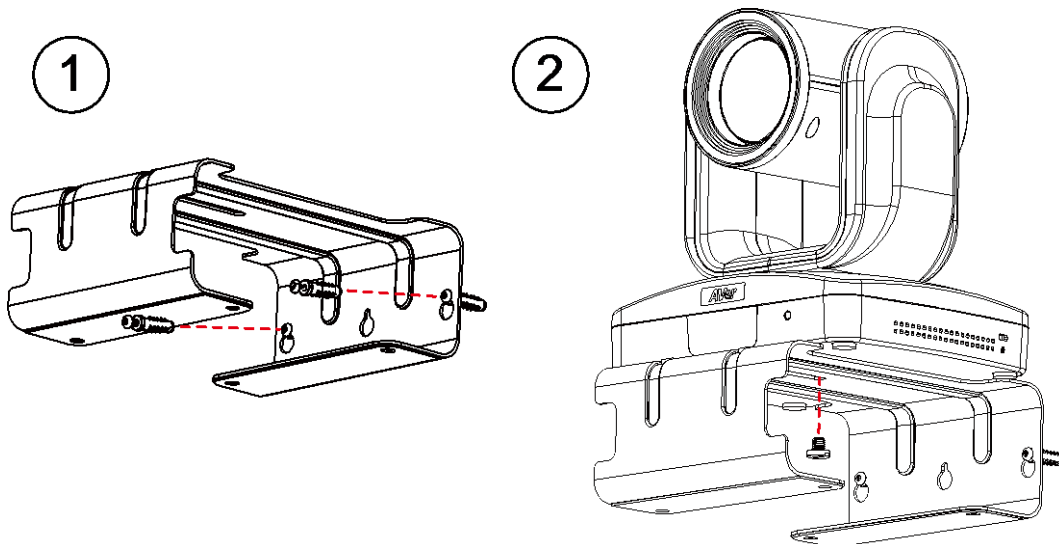
Mounting Camera

There are 3 ways to mount the camera – on the wall, on the ceiling, and on a table with the mount and screws included in the package.

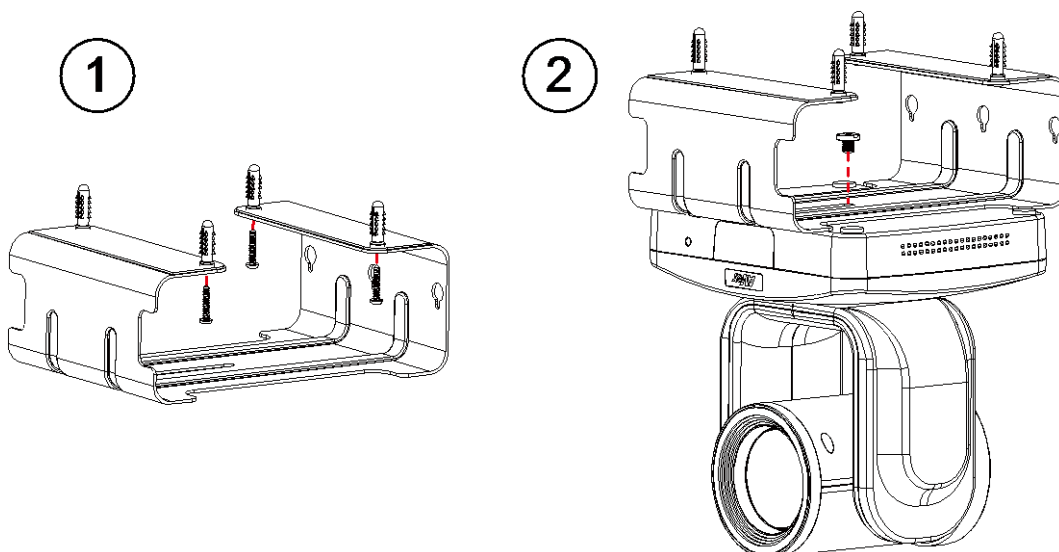
[Warning]

1. When securing the camera mount on a wall or ceiling, only use hardware and materials certified to support 22 lb (10 kg) weight. For dry wall installation, please use Sleeve-Type Hollow Wall Anchors (a.k.a. Molly Bolts).
2. If the camera mount is secured to a table, please note excessive table movement or pulling on the cables may cause the mount and camera to fall. Ensure the cables and camera are secured properly.

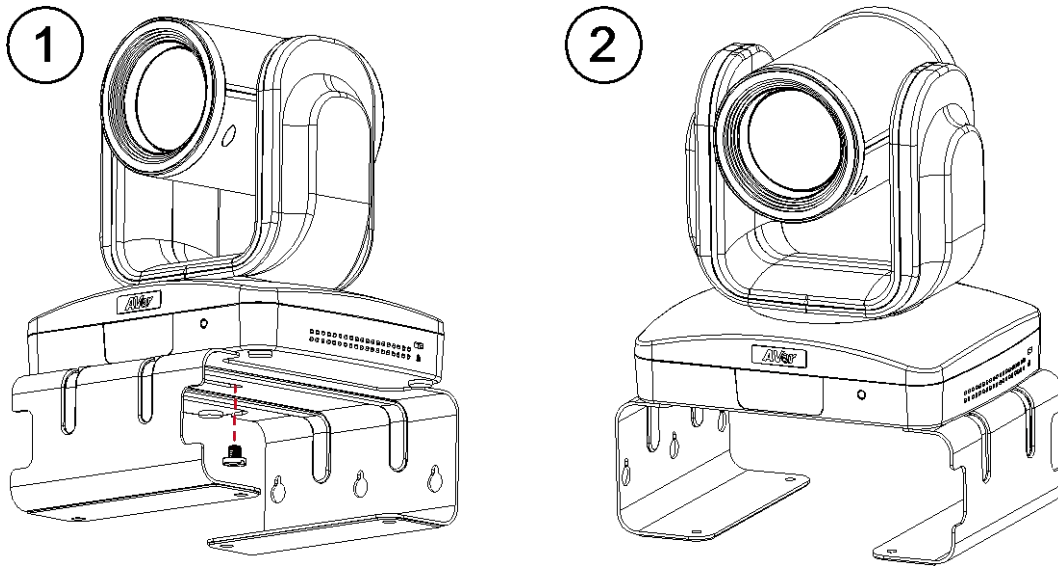
■ Wall



■ Ceiling



■ Table



Use CAM530

Make a Video Call

1. Make sure CAM530 and PC/laptop are well connected and power is on.
2. Run your video application (Skype™, Microsoft® Lync™, Google Hangouts™, Cisco WebEx®, GoToMeeting™, WebRTC, and etc.) on your PC or I laptop.
3. Set the CAM530 camera as the primary camera for your video application (refer to your video application user guide). You can now make your call.
4. The CAM530 is a plug-and-play conference camera. The system requires no special drivers, but we do recommend installing the AVer PTZApp for a better user experience. For information on how to install and use the AVer PTZApp, refer to the AVer PTZApp section in this user manual.

LED Indicator

Status	LED
Starting	Flashing blue and camera head is rotating
Normal	Solid blue
Camera is not being used by the computer	Solid orange
Camera is not connected	Solid orange and camera head is down.

AVer PTZApp

Install AVer PTZApp



Please go to <http://www.aver.com> > **Support** > **Download Center** > **Video Conferencing** to download the AVer PTZApp. After downloading, double-click on the file and follow the on screen instructions to complete the installation.

Remember to select the “**Skype plug-in**” option during installation.

After installing the AVer PTZApp, double-click on the AVer PTZApp icon to run the application.

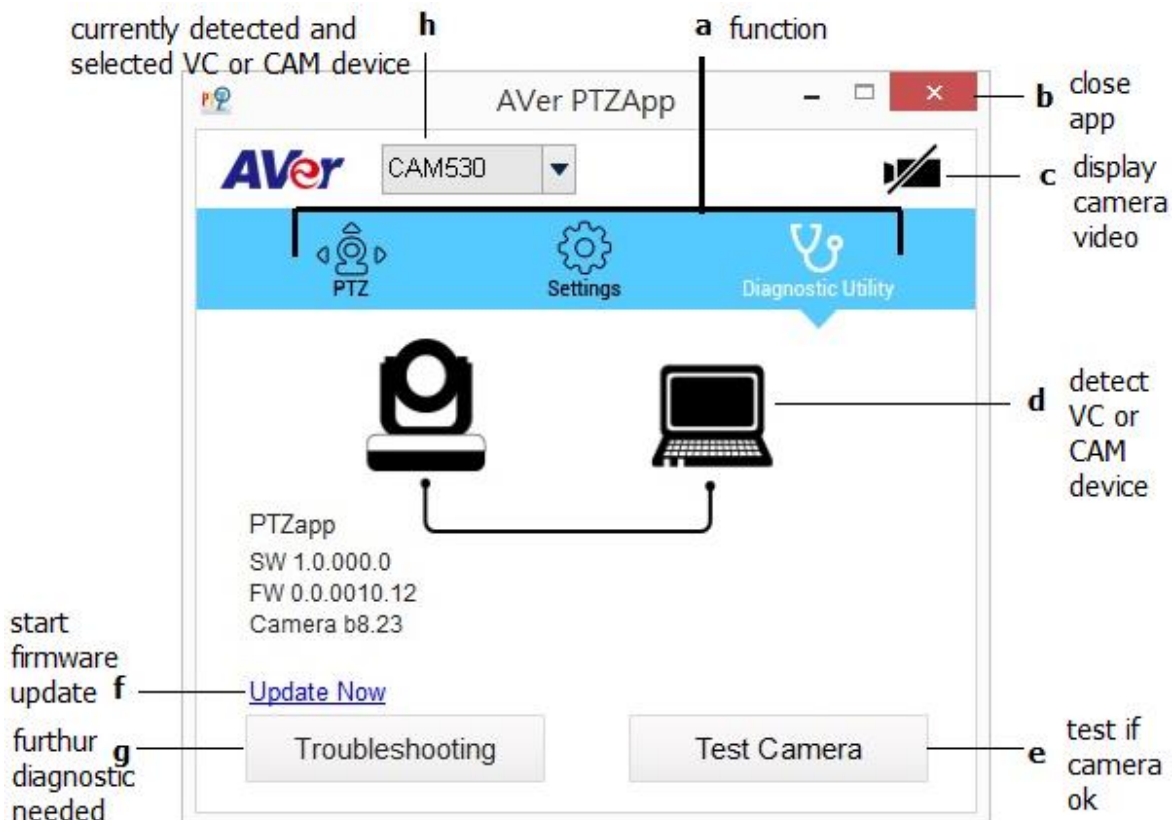
Use AVer PTZApp

1. To run you video application, a plug-in request will be displayed on your video application interface. Click on it to accept the plug-in; your video application can now be control by AVer PTZApp and remote control.

If you have the Skype plug-in checked during the installation, a plug-in request will be displayed in Skype. Click on the Skype plug-in request to accept the plug-in; this enables  and  functionality on the Remote Control.

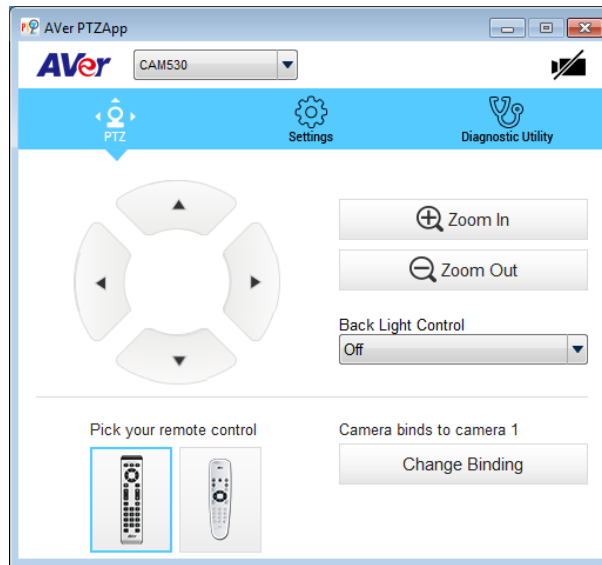
2. During your video call, you can use the AVer PTZApp to pan, tilt and zoom the camera in/out and enable/disable the backlight feature.

3. For the first time use, you can check the connection, camera, and setup the camera’s parameters. Each function will be described below:

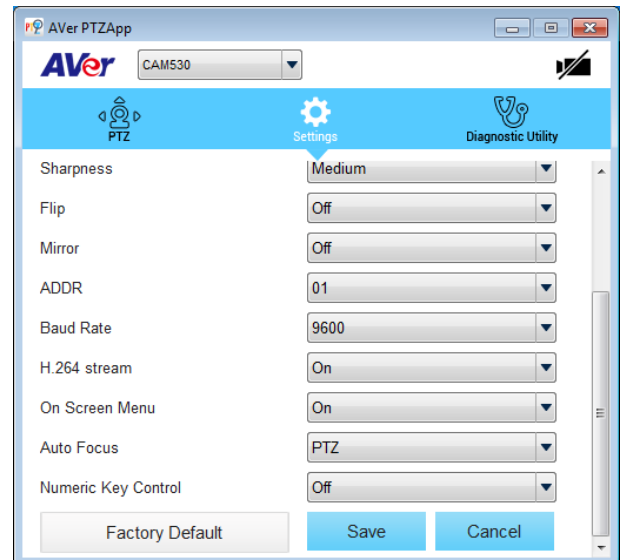
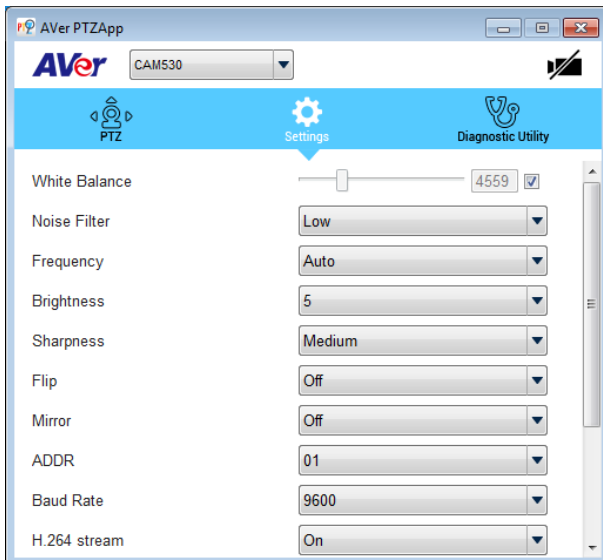


a. **Function icon:** Click it to switch to the function's page.

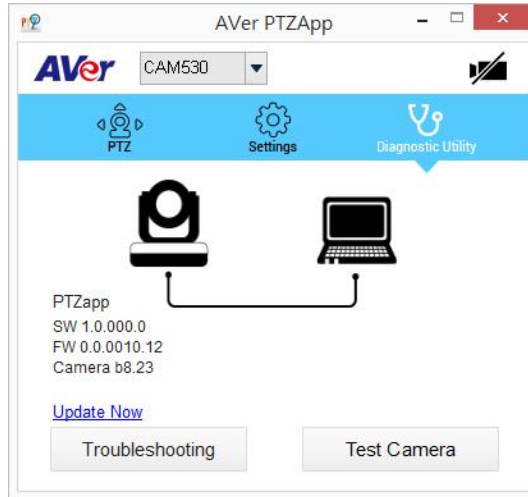
- **PTZ:** To control the camera direction, zoom in and out, and to enable/disable the backlight compensation during your video call.



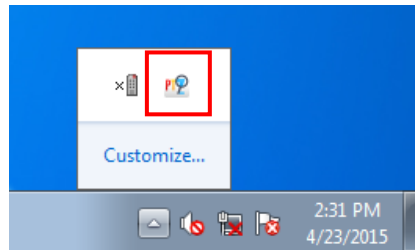
- **Settings:** To setup parameters of the camera – White balance, noise filter, frequency, brightness, sharpness, flip, mirror, ADDR, baud rate, H.264 stream, and numeric key control. ADDR and baud rate is for RS232 connection setting. Click the **Save** button to save all settings. To change all the settings, back to the default values, click the **Factory Default** button.



- **Diagnostic Utility:** To display the S/W and F/W version and the devices connection status. You can also update the firmware of the camera.



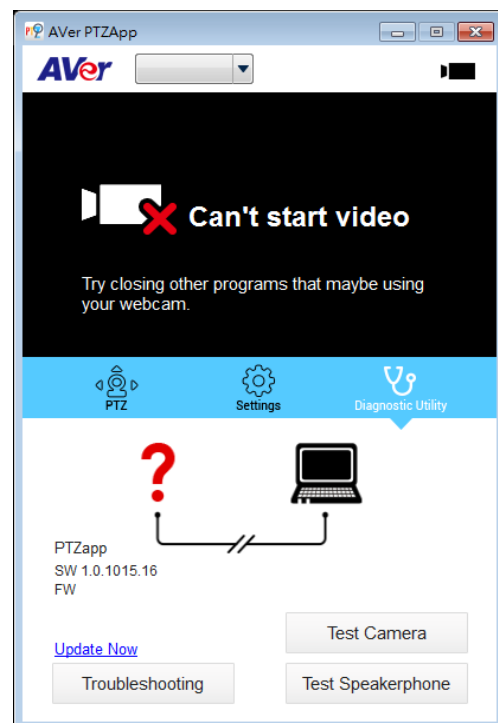
- b. **Minimize:** Minimize the app to system tray. To quit the application, right-click the icon on the system tray and select **“Quit”**.



- c. **Camera:** Click it to view the camera live view. Click the camera icon again to close the camera live view. If the live video did not appear, please check the camera and the laptop/PC connection to make sure all are corrected and well connected.

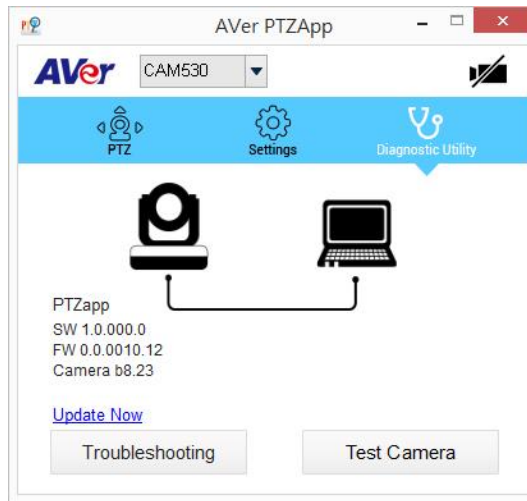


Normal

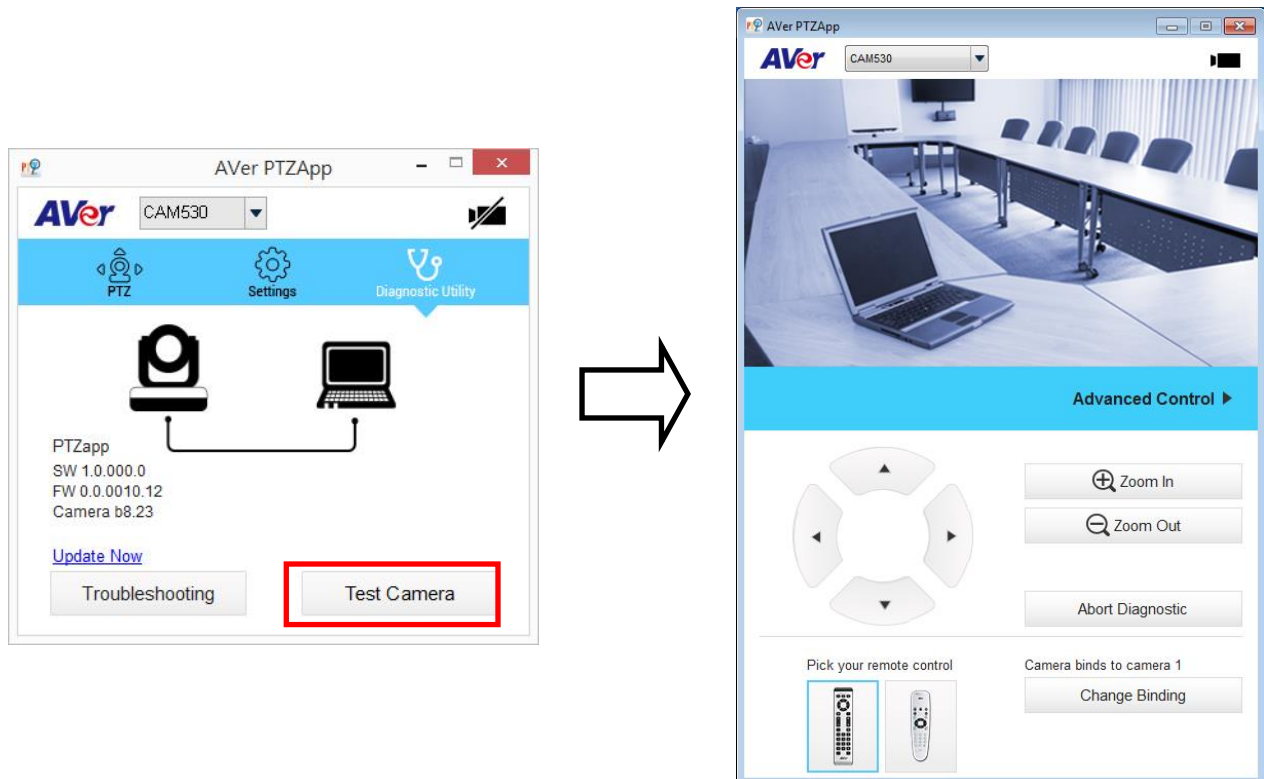


Un-normal

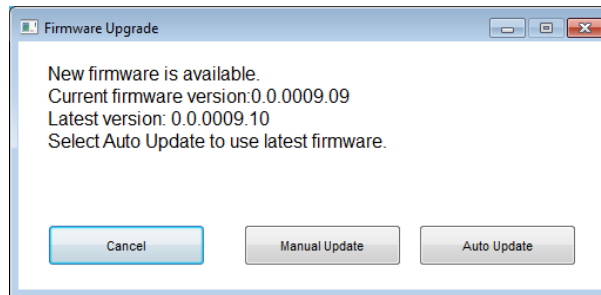
- d. **Connection diagnostic:** Display devices connection status. If the AVer PTZApp has detected that camera and laptop/PC are not connected well, the diagram will display an “X” on the camera to indicate the connection has a problem. If the camera is in use by another application, it will display “Can’t start video” warning.



- e. **Test Camera:** Click the “**Test Camera**” to check the camera video display status. You can adjust the camera direction and view of the zoom in/out. To leave the page, click the **Abort Diagnostic** button.

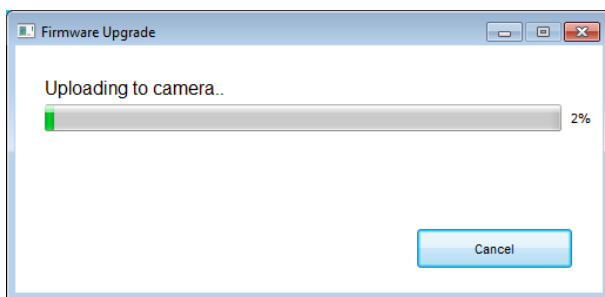


- f. **Update Now:** Allows the user to update the CAM530 camera's firmware.
1. Click "Update Now".
 2. A dialog will display the current firmware version and available new firmware version (internet connection is required).

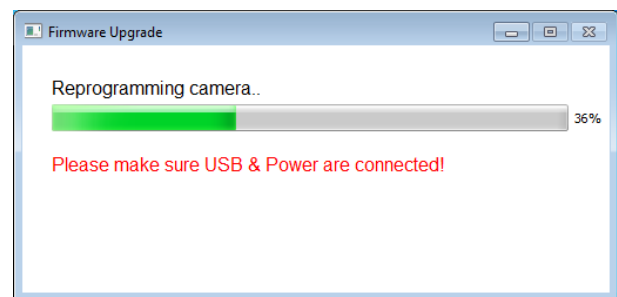


3. To auto update, click "Auto Update" and update process will start. The new firmware will be downloaded first; then, the new firmware will be uploaded to camera.

[Note] Please make sure camera, power, and laptop/PC are all well connected and stay connected during the entire process.



Download new firmware

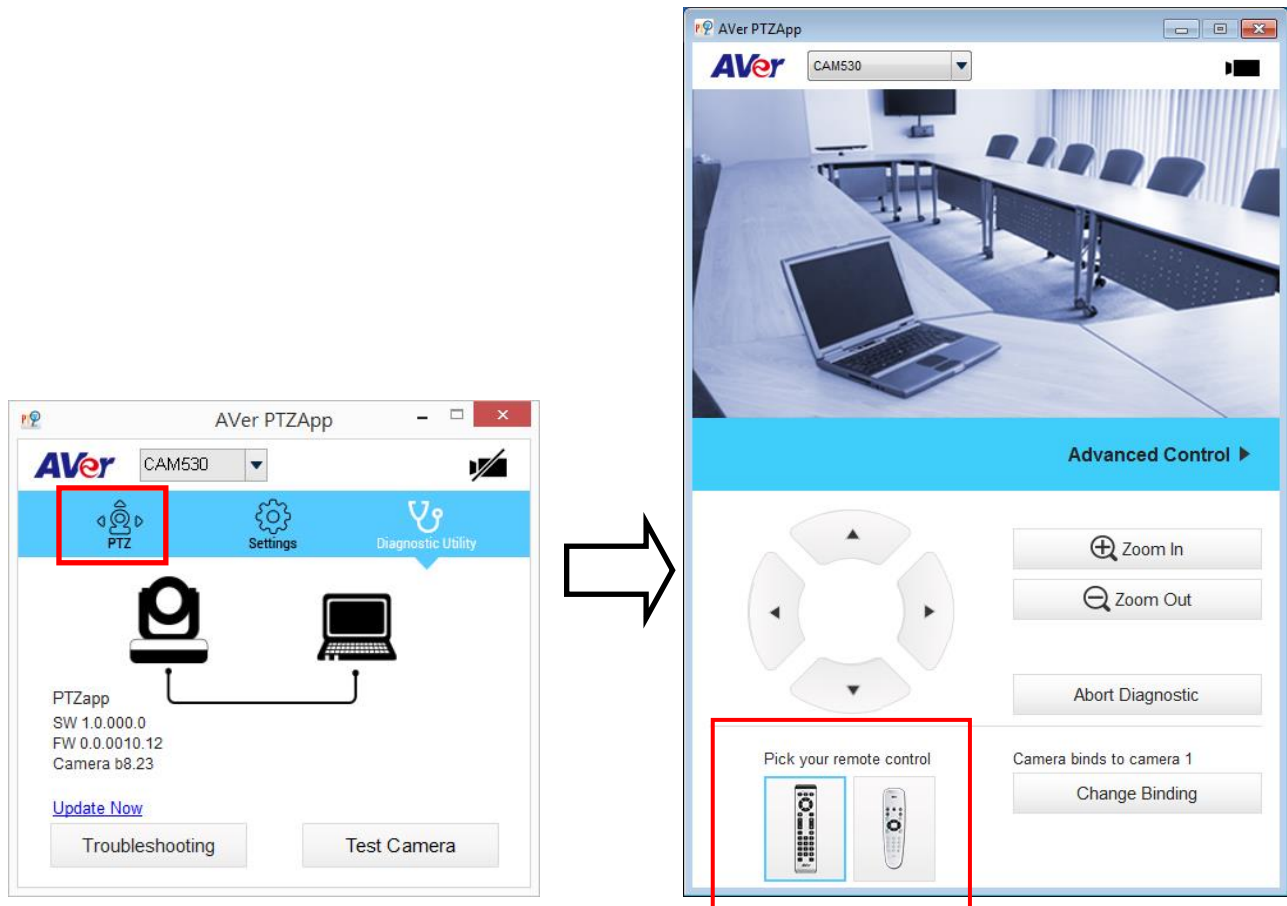


Update new firmware to camera

4. To update the firmware manually, click "Manual Update" and locate the new firmware to start the process.
- g. **Troubleshooting:** collect more system information for troubleshooting before you contact AVer technical support.
- h. **Currently selected device:** This field displays currently selected VC or CAM device controlled by PTZApp. If you have more than one AVer VC or CAM devices connected to this PC/Mac PTZApp is running, you can click on the drop down list to select other AVer VC or CAM device.

Select Remote Control

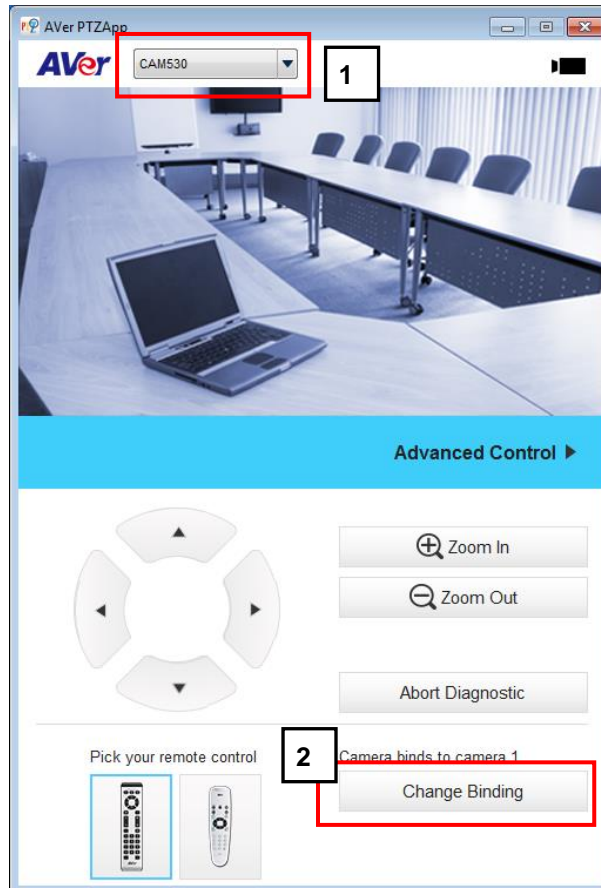
CAM530 supports two different remote controls. Please select your remote.



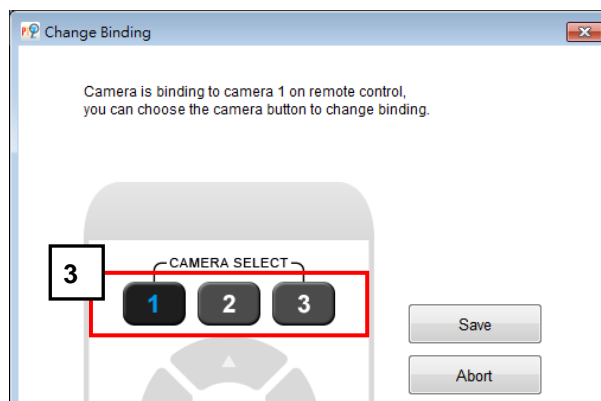
Set the Camera Number

With multiple cameras connected, users can set each camera to buttons 1 to 3 on remote control.

1. If PTZapp detects computer connects to multiple VC/CAM, you can select which camera you like to control through the dropdown list.
2. Next, Click **Change Binding** button.



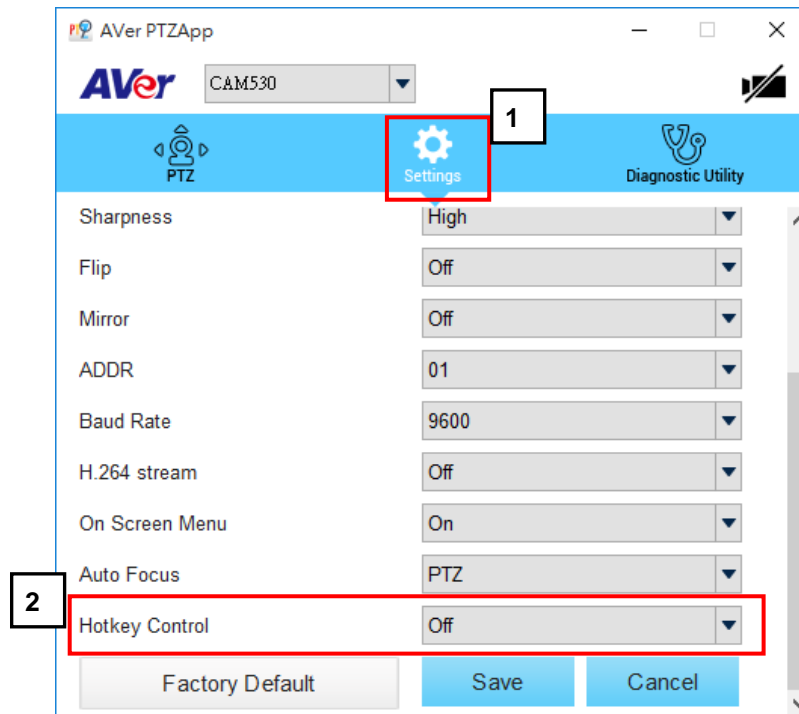
3. Select which camera number of remote control it maps to.
4. Click **Save** to save settings. To un-save the settings, click **Abort**.



Hotkey Control

Enable hotkey control to use keyboard control camera's movement and backlight.

1. Select **“Settings”**
2. Set Hotkey Control to **“On”**.



3. A hotkey description as below figure shown:

