

Designed for Better Collaboration

VC800 is the second generation full-HD video conferencing system launched by Yealink. Equipped with the strongest embedded MCU within the industry, VC800 can support 24-site HD video conferencing plus two virtual meeting rooms. It has an all-in-one design and first-class video and audio technology that creates an easier and more effective collaboration experience. As the newest generation of Yealink VC series video conferencing systems, the VC800 adopts an intuitive user interface that makes meeting control simpler. Featuring H.265/HEVC, Opus and HD voice backed by Harman Kardon speaker, the Yealink VC800 facilitates more immersive audio-visual collaboration. By leveraging Yealink Meeting Server(YMS), the VC800 seamlessly supports Meeting Scheduling and One-touch Meeting Access. All combine to make VC800 one of the perfect solution for the medium-to-large meeting rooms.



Key Features and Benefits

Powerful Built-in MCU

Yealink VC800 supports up to 24 sites HD video conferencing and two virtual meeting rooms. Meanwhile, it backs up Automatic Voice Activated Switching and local meeting control, making the meeting be in an orderly manner.

Immersive Audio-Visual Experience

Using a new 12x optical PTZ camera, it supports 1080P/60FPS video calls, thus greatly enhancing the fluency of video conferencing and making the presentation more vivid even in details. Co-worked with Yealink conference phone CP960, Yealink VC800 creates a better audio solution. Backed by Harman Kardon speaker, Opus codec, two DECT-based wireless expansion microphones and quality 20ft/360° voice pickup distance, VC800 ensures that anyone in the workspace could have an immersive HD audio experience.

Easier Meeting Experience and Simpler Deployment

Yealink VC800 owns all-in-one design which combines codec and camera together, only one standard RJ45 network cable could connect TV area and conference table. Moreover, its 5-inch touchable VCS phone makes the membership and meeting control simpler and more intuitive, and its friendly TV-style user interface helps you minimize the learning cost.

Less Bandwidth, Better Network Adaptability

Via supporting H.265/HEVC video codecs, just with the minimum 512kbps, 1080P HD video calls can be realized, thus saving more than 50% bandwidth than using H.264. Thanks to Yealink anti-packet loss technology, VC800 can resist up to 30% video and audio packet loss which guarantees smooth video communication.

Compatibility and Integration

Yealink VC800 supports standard H.323/SIP dual protocol. It is not only deeply integrated with Yealink Meeting Server(YMS), supporting Meeting Scheduling and One-touch Meeting Access; but also worked with Yealink Cloud Management Service, bringing quick deployment. Besides, it supports the 3rd-party room system and integrates with the leading cloud platforms.



- Built-in 24-site multipoint and can be divided into two virtual meeting rooms
- 1080P/60FPS and 12x optical PTZ camera
- H.265/HEVC video codec, 1080P from 512Kbps bandwidth
- Super video packet loss recovery technology, resistant up to 30%
- 5-inch touchable conference phone with harman kardon speaker
- Two DECT-based wireless expansion microphones
- Two HDMI output and two HD content input (HDMI + Mini-DP)
- Deeply integrate with leading cloud platforms: Yealink Cloud, Yealink Meeting Server, StarLeaf, Pexip, Mind, Zoom and BlueJeans

Package includes:

- VC800 Codec (integrate camera)
- Video Conference Phone CP960
- CP Wireless Expansion Mic CPW90 (2 units) or CP Wired Expansion Mic CPE90 (2 units)
- Remote Control VCR11
- Cable Hub VCH50
- Cable Bundle

Full-HD PTZ Camera

- 1920 x 1080 video resolution
- 60 frame rate
- 12x optical zoom PTZ camera
- Horizontal field of view: 70°
- Vertical field of view: 42°
- Pan angel range: +/- 100°
- Tilt angel range: +/- 30°
- Beauty shot

Multipoint Capacity

- Built-in multipoint up to 24 sites at 1080p30
- Multipoint license for 8/16/24 sites
- Supports two virtual meeting rooms
- Additional one-way audio call
- Mixed protocols, codecs, bandwidth, resolution, and frame rate

Video Standard and Network Suitability

- Video codecs: H.265/HEVC, H.264 High Profile, H.264, H.263
- Bandwidth dynamic adaptive adjustment
- Forward Error Correction (FEC), anti 30% video and audio packet loss
- Shared content and audio preference strategy
- Bandwidth/protocol/ auto adaptive

VCS Phone CP960 and Audio Features

- 5-inch touchscreen with 1280*720 resolution
- Harman kardon speaker
- Built-in 3-microphone array
- 20ft/360° voice pickup range
- Supports 2 wireless (or wired) expansion mic
- Audio codecs:
 - Opus, 8~48kHz sampling rate
 - 14kHz bandwidth with G.722.1C
 - 7kHz bandwidth with G.722.1
 - 3.4kHz bandwidth with G.711 (PCMA/PCMU)
- Audio technology:
 - Acoustic echo cancellation
 - Automatic gain control
 - Yealink Noise Proof Technology
 - CNG, PLC, AJB, De-Rerb

Call Features

- 1080p60 people + 1080P30 content sharing video quality
- Video Layout:
 - Voice activation (onePlusN)
 - onePlusN, maximum 1+7 viewable participates
 - N*N, maximum 3*3 viewable participates
 - Picture-in-picture (PIP), full-screen
- Video/audio recording and playback
- Dual displays and 'focus' feature
- Screenshots in USB flash drive
- Group dial
- Meeting control:
 - invite/remove
 - mute/unmute participates (only for Yealink Meeting Server)
 - lock
- DND (do not disturb), call statistics
- Auto answer, mute, and call waiting
- Virtual meeting room password
- Virtual keyboard
- Local directory: 500 entries
- Call history: all/missed/received/dialed
- LDAP phonebook
- Multi-language support

Standard Communication Protocol

- H.323/SIP
- Dual stream protocol: H.239 (H.323)/BFCP (SIP)
- FECC: H.224/H.281, Sony VISCA and PELCO D/P
- H.323 protocol suite: H.245, H.225, H.235, H.241
- Gatekeeper account and SIP account

Compatible Cloud Platforms

- Yealink Cloud Management Service
- Yealink Meeting Server
- StarLeaf/UC OpenCloud, supports QCP code
- Pexip/Mind/Zoom/BlueJeans

Network and Security Features

- IPv4 and IPv6, DHCP/static IP
- HTTP/HTTPS web server
- RS232/HTTP API for control system integration
- SRTP/TLS, AES 128-bit encryption
- QoS: 802.1p/q, Diff-serv
- VLAN, IEEE802.1X, LLDP-MED
- Anti-attack
- Network diagnosis: Ping, trace route
- Time and date synchronization using SNTP
- Built-it certificate

NAT and Firewall Traversal

- NAT (manual/auto mode)
- ICE/TURN/STUN
- Yealink intelligent firewall traversal
- Open VPN, H.460

Configuration Management

- Configuration via browser/display/auto-provisioning
- Virtual remote control
- Firmware upgrading, factory resetting
- Export or import configuration
- System log exporting

VC800 Codec Connections

- 2 x HDMI output
- 1 x Line-in (3.5mm)
- 1 x Line-out (3.5mm)
- 1 x Yealink extension port (RJ-45) connect to VCH50 /CP960 Phone
- 1 x 10/100/1000M Ethernet port
- 2 x USB 2.0
- 1 x Power port
- 1 x Security lock slot
- 1 x Reset slot

VCH50 Connections

- 1 x RJ45 port connect to VC800 codec
- 1 x RJ45 port connect to CP960
- 1 x HDMI input for content sharing (with audio)
- 1 x Mini-DP input for content sharing (with audio)
- 1x USB 2.0 for recording

Other Physical Features

- External Yealink Power Adapter: AC 100~240V input and DC 48V/0.7A Output
- Wall/TV mounted shelf with screws
- Power consumption (PSU): Idle<16W, normal operating: 17W; MAX: 21W
- Dimension (W.D.H):
 - VC800 codec: 235 mm x 172 mm x 169 mm
 - CP960: 338mm x 338mm x 74mm
 - VCR11: 190mm x 55mm x 24mm
- Operating humidity: 10~95%
- Operating temperature: 0~40°C
- Storage temperature: -30~70°C

Package Features

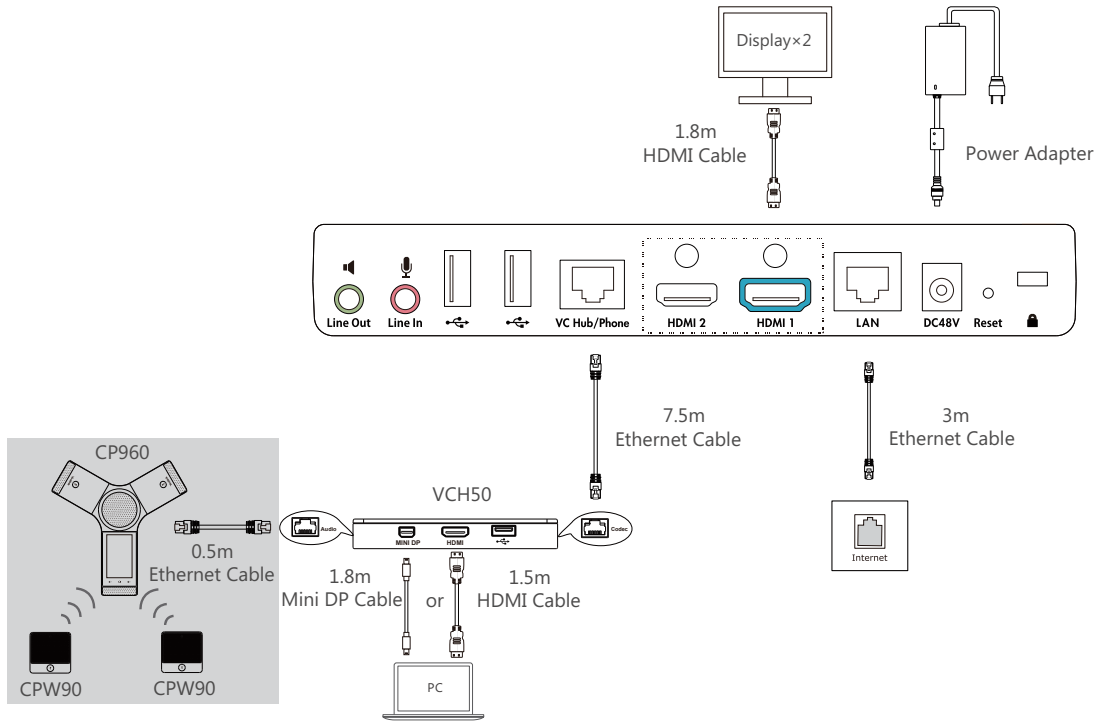
- N.W/CTN: 6.6 kg
- G.W/CTN: 7.8 kg
- Giftbox size: 405mm x 392mm x 141mm

Compliance



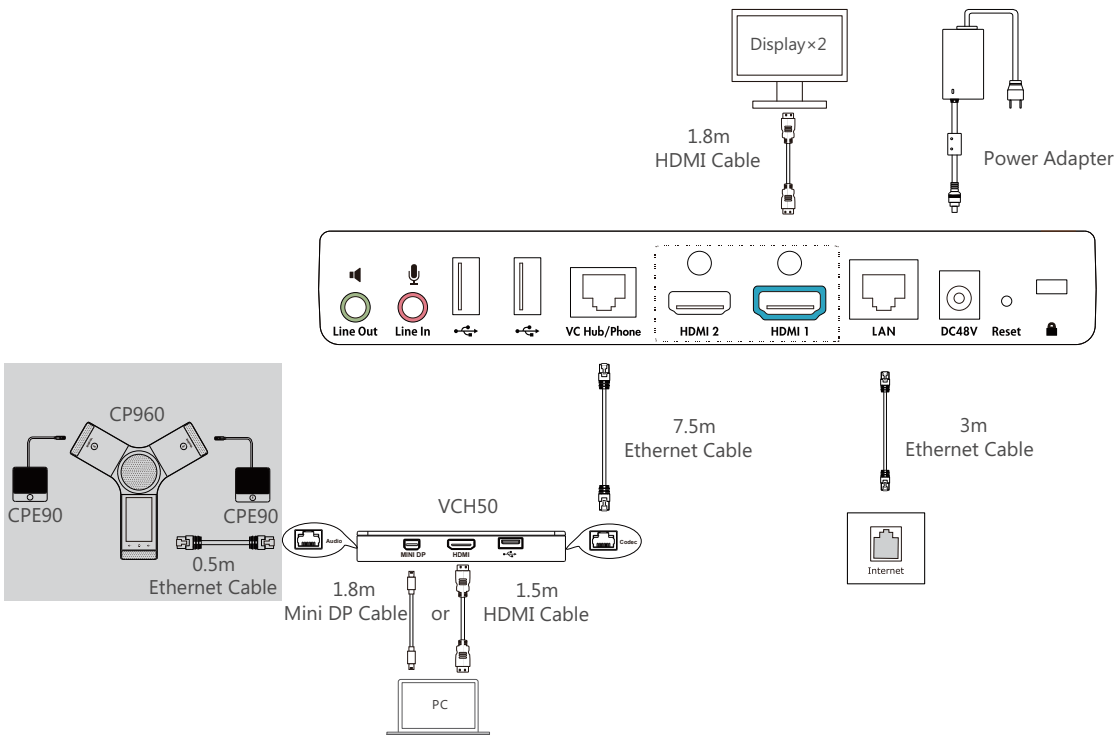
Connections

- If you use CP Wireless Expansion Mic CPW90, you can do the following:



💡 Please connect to the HDMI 1 port if you only have one display device.

- If you use CP Wired Expansion Mic CPE90, you can do the following:



💡 Please connect to the HDMI 1 port if you only have one display device.

About Yealink

Yealink (Stock Code: 300628) is a global leading unified communication (UC) terminal solution provider that primarily offers video conferencing systems and voice communication solutions. Founded in 2001, Yealink leverages its independent research and development and innovation to pursue its core mission: "Easy collaboration, high productivity." The company's high-quality UC terminal solutions enhance the work efficiency and competitive advantages of its customers in over 100 countries. Yealink is the world's second-largest SIP phone provider and is number one in the China market.

Copyright

Copyright © 2017 YEALINK(XIAMEN) NETWORK TECHNOLOGY CO., LTD.

Copyright © 2017 Yealink(Xiamen) Network Technology CO., LTD. All rights reserved. No parts of this publication may be reproduced or transmitted in any form or by any means, electronic or mechanical, photocopying, recording, or otherwise, for any purpose, without the express written permission of Yealink(Xiamen) Network Technology CO., LTD.

Technical Support

Visit Yealink WIKI (<http://support.yealink.com/>) for firmware downloads, product documents, FAQ, and more. For better service, we sincerely recommend you to use Yealink Ticketing system (<https://ticket.yealink.com>) to submit all your technical issues.



YEALINK(XIAMEN) NETWORK TECHNOLOGY CO.,LTD.
Web: www.yealink.com
Addr: 309, 3th Floor, No.16, Yun Ding North Road,
Huli District, Xiamen City, Fujian, P.R. China
Copyright©2017Yealink Inc.All right reserved.