

# VXC Series

## Ceiling Speaker



VXC8 / VXC8W



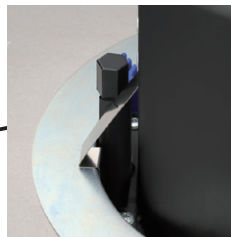
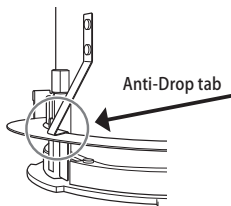
VXC6 / VXC6W



VXC4 / VXC4W

A versatile lineup for clear consistent sound.

- Series offers three different woofer sizes in either black or white.
- Features newly customized transducers for superb music reproduction as well as crystal clear announcements.
- Designed with optimized bass-reflex tuning to offer a firm, tight low-end.
- Equipped with internal transformers that allow both high and low impedance drive, which can be selected by simply switching the tap on the baffle.
- Anti-Drop tab allows the speakers to be mounted temporarily in the ceiling for improved safety and ease of installation.
- A flexible carrying band makes the speakers very portable and allows carrying multiple speakers at once.
- Come complete with O-rings and tile rails for safer and smoother installation.
- Overload protection circuit provided to protect speaker components.



# VXC Series

## GENERAL SPECIFICATIONS

Model	VXC8 / VXC8W	VXC6 / VXC6W	VXC4 / VXC4W
Speaker Type	2-way, Coaxial type, Acoustic Suspension		Full-range, Bass-reflex
Components	LF	8" Cone	4" full-range
	HF	1" Soft dome	
Coverage Angle <sup>1</sup>	100° conical	110° conical	130° conical
Nominal Impedance	8 $\Omega$		
Power Rating <sup>2</sup>	NOISE	90W	30W
	PGM	180W	60W
Sensitivity <sup>3</sup> (1W,1m)	90dB SPL	86dB SPL	87dB SPL
Maximum SPL (Calculated, 1m)	116dB SPL	111dB SPL	108dB SPL
Frequency Range <sup>3</sup>	-10dB 55Hz - 20kHz	56Hz - 20kHz	80Hz - 20kHz
Connectors	1x Euroblock (4P) (Input: + / -, Loop Thru: + / -)		
Transformer Taps	70V	60W (83 $\Omega$ ), 30W (170 $\Omega$ ), 15W (330 $\Omega$ ), 7.5W (670 $\Omega$ )	30W (170 $\Omega$ ), 15W (330 $\Omega$ ), 7.5W (670 $\Omega$ ), 3.8W (1.3k $\Omega$ )
	100V	60W (170 $\Omega$ ), 30W (330 $\Omega$ ), 15W (670 $\Omega$ )	30W (330 $\Omega$ ), 15W (670 $\Omega$ ), 7.5W (1.3k $\Omega$ )
Color (Grille)	VXC8: Black / VXC8W: White	VXC6: Black / VXC6W: White	VXC4: Black / VXC4W: White
Dimensions (Diameter x H)	$\emptyset$ 325 x 259mm ( $\emptyset$ 12.8" x 10.2")	$\emptyset$ 286 x 205mm ( $\emptyset$ 11.3" x 8.1")	$\emptyset$ 225 x 195mm ( $\emptyset$ 8.9" x 7.7")
Weight	6.6kg (14.5lbs)	4.4kg (9.7lbs)	2.6kg (5.7lbs)
Included accessories	O-ring, Tile Rail, Cutout Template, Screws, Owner's Manual		

\*1 500Hz - 4kHz

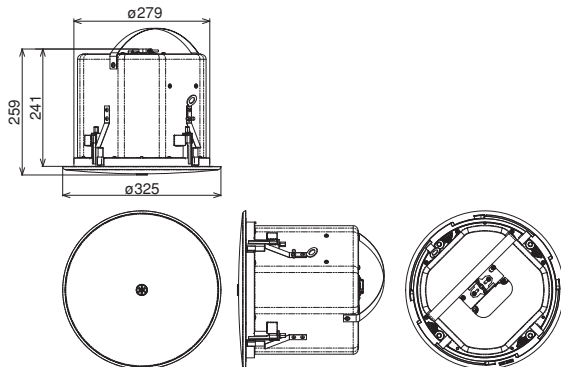
\*2 IEC

\*3 Half space

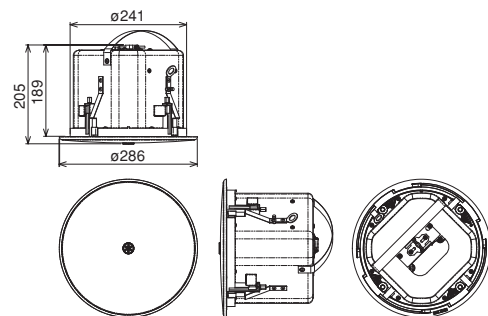
## DIMENSIONS

unit : mm

VXC8 / VXC8W



VXC6 / VXC6W



VXC4 / VXC4W

