

POWER AMPLIFIER

PX10/PX8
PX5/PX3

Technical Specifications

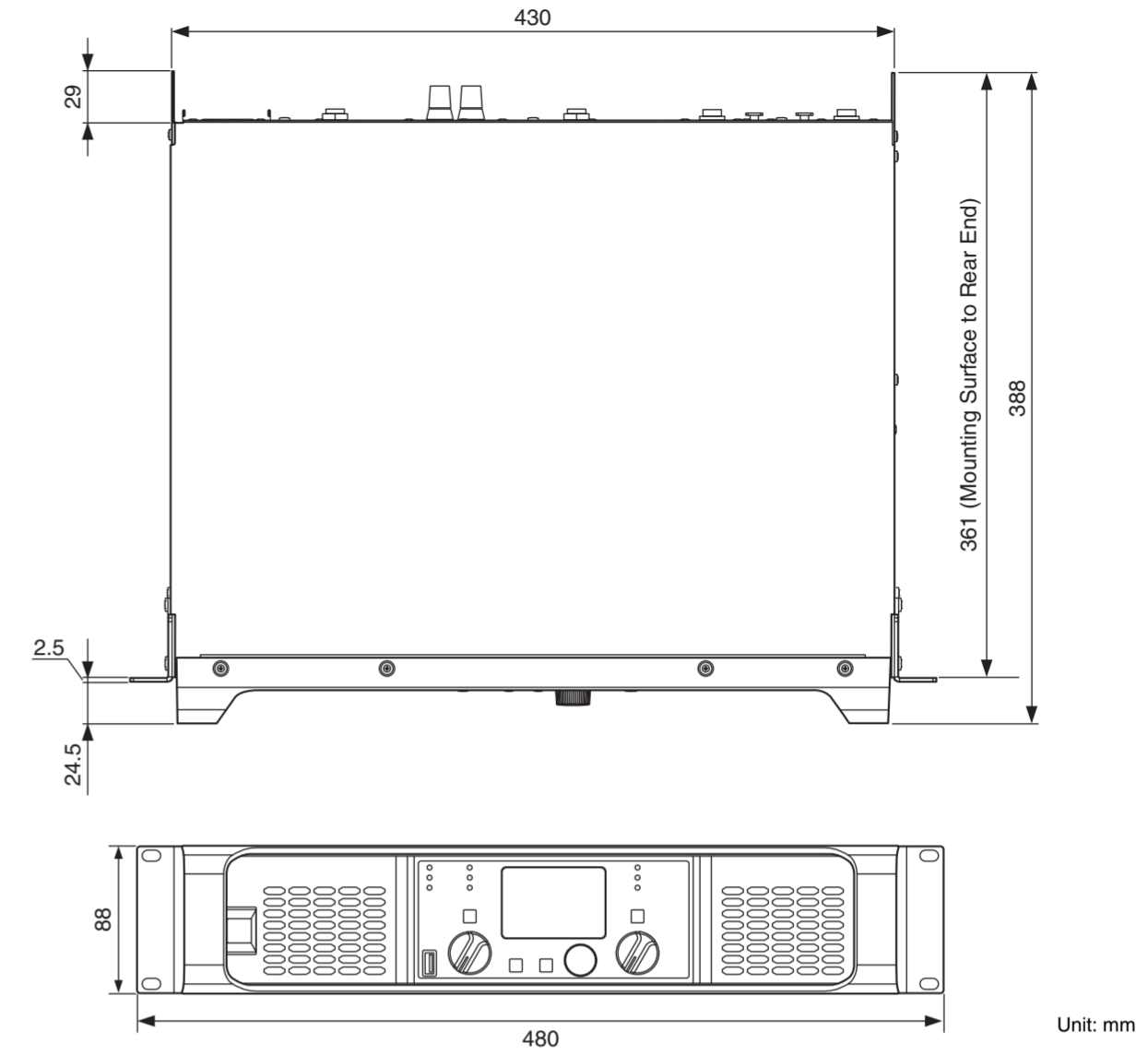
Specifications

	PX10	PX8	PX5	PX3
Output Power	120 V 60 Hz, 220 V~240 V 50 Hz/60 Hz			
1 kHz, non-clip, 20 msec burst, both channels driven	8Ω	1000 W × 2	800 W × 2	500 W × 2
	4Ω	1200 W × 2	1050 W × 2	800 W × 2
	2Ω	700 W × 2	600 W × 2	500 W × 2
1 kHz, non-clip, 20 msec burst	8Ω/Power Boost mode	—	—	800 W × 1
	4Ω/Power Boost mode	—	—	1000 W × 1
Output Power	100 V 50 Hz/60 Hz			
1 kHz, non-clip, 20 msec burst, both channels driven	8Ω	1000 W × 2	800 W × 2	500 W × 2
	4Ω	1200 W × 2	1050 W × 2	800 W × 2
	2Ω	700 W × 2	600 W × 2	500 W × 2
1 kHz, non-clip, 20 msec burst	8Ω/Power Boost mode	—	—	800 W × 1
	4Ω/Power Boost mode	—	—	1000 W × 1
Amplifier Type (Output Circuitry)	Class D, balanced output circuit (BTL)			
THD+N	1 kHz, 10 W	0.1 %		
	1 kHz, half power	0.3 %		
Frequency Response	1 W, 8Ω, 20 Hz to 20 kHz	±1.0 dB		
Crosstalk	Half power, 8Ω, 1 kHz, vol. max., input 150Ω shunt	≤ -60 dB		
S/N Ratio	A-weighted, 8Ω, gain setting = +14 dBu	101 dB	101 dB	100 dB
Voltage Gain/Sensitivity				
8Ω, Volume max	Gain setting: 32 dB	32.0 dB/+9.3 dBu	32.0 dB/+8.3 dBu	32.0 dB/+6.3 dBu
	Gain setting: 26 dB	26.0 dB/+15.3 dBu	26.0 dB/+14.3 dBu	26.0 dB/+10.1 dBu
	Gain setting: +4 dBu	37.3 dB/+4 dBu	36.3 dB/+4 dBu	34.3 dB/+4 dBu
	Gain setting: +14 dBu	27.3 dB/+14 dBu	26.3 dB/+14 dBu	24.3 dB/+14 dBu
8Ω, Volume max, Power Boost mode	Gain setting: 32 dB	—	—	34.0 dB/+6.3 dBu
	Gain setting: 26 dB	—	—	28.0 dB/+12.3 dBu
	Gain setting: +4 dBu	—	—	36.3 dB/+4 dBu
	Gain setting: +14 dBu	—	—	25.1 dB/+14 dBu
Maximum Input Voltage	+24 dBu			
Input Impedance	20 kΩ (Balanced), 10 kΩ (Unbalanced)			
Signal Processing	Input summing D-CONTOUR: FOH/MAIN, MONITOR, OFF Delay: 0~74msec HPF/LPF: cutoff frequency 20Hz~20kHz with polarity control Speaker processor: 6 band PEQ + limiter + delay			
User Amplifier Preset	8 user amplifier presets			
Factory Speaker Preset	Speaker presets for Yamaha passive speakers			
Connectors	Analog input	XLR-3-31 × 2, 1/4 PHONE(TRS) × 2		
	Speakers	Neutrik speakON NL4 × 2, Binding post × 2 pairs, 1/4" PHONE(TS) × 2		
	AC IN	AC inlet × 1 with AC cord clamp		
	USB	USB 2.0 Standard-A Connector (Female) for data save/load (amp settings, speaker preset, log) and firmware update with USB memory		
AC Power Requirement	Depending on area of purchase; 100 V, 50 Hz/60 Hz, 120 V 60 Hz, 220 V~240 V 50 Hz/60 Hz *1			
Power Consumption	1/8 MAX power, 4Ω, pink noise at all channels	310 W	280 W	230 W
	Idle, 4Ω	60 W	60 W	55 W
Operating Temperature	0°C to +40°C			
Storage Temperature	-20°C to +60°C			
Dimensions (W × H × D)	480 × 88 × 388 mm (18.90 × 3.46 × 15.28 inch)			
Net Weight	7.4 kg (16.31 lbs)	7.2 kg (15.87 lbs)	6.9 kg (15.21 lbs)	6.9 kg (15.21 lbs)

*1 Device operation has been confirmed within +/- 10% of the rated power supply voltage.

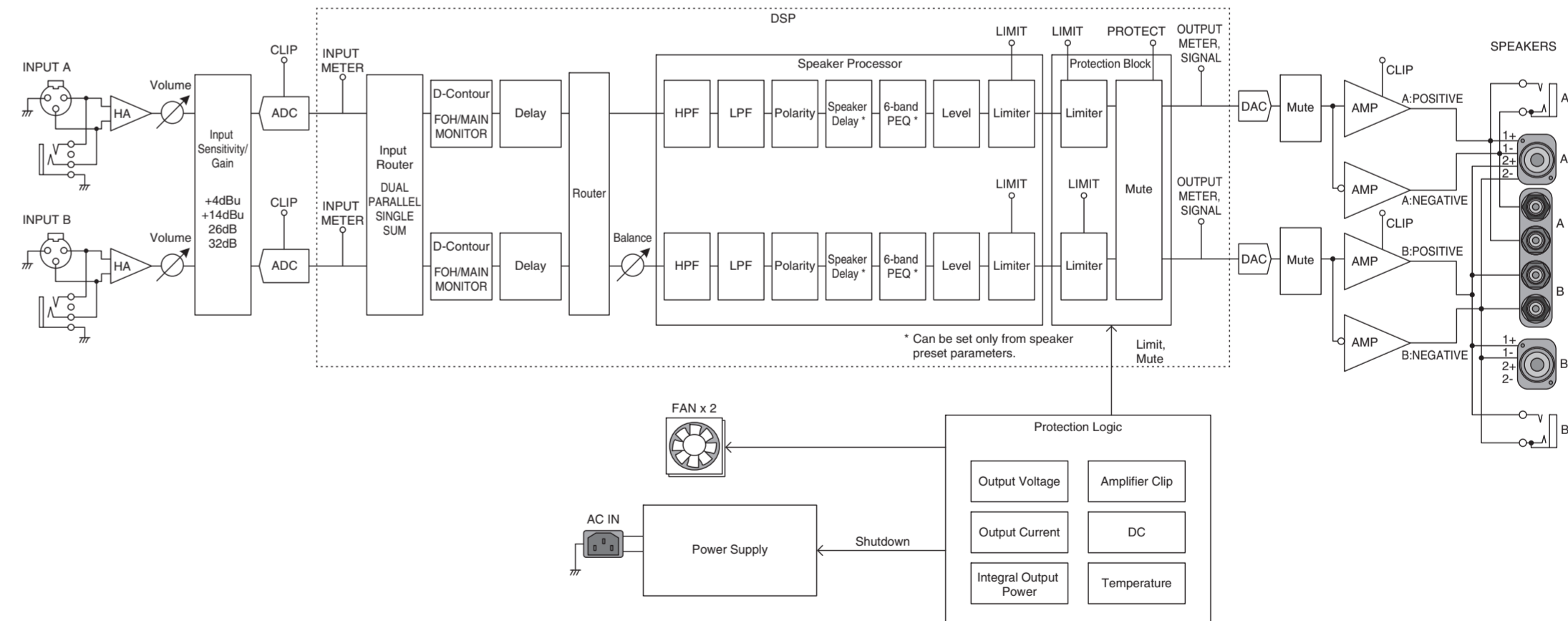
* The contents of this manual apply to the latest specifications as of the printing date. To obtain the latest manual, access the Yamaha website then download the manual file.

Dimensions



Unit: mm

Block Diagram



Current Draw

● PX10

		Line Current (A)		Watt (W)			Thermal Dissipation	
		100V	Powwer Consumption (In)	Power Consumption (out)	Watts Dissipated	Btu/h	kcal/h	
Idle		0.8	57	0	57	195	49	
1/8 out	8Ω/ch	2.6	213	125	88	300	76	
	4Ω/ch	3.1	261	150	111	379	95	
1/3 out	8Ω/ch	5.6	472	333	139	474	120	
	4Ω/ch	7.2	608	400	208	710	179	

		Line Current (A)		Watt (W)			Thermal Dissipation	
		120V	Powwer Consumption (In)	Power Consumption (out)	Watts Dissipated	Btu/h	kcal/h	
Idle		0.7	60	0	60	205	52	
1/8 out	8Ω/ch	2.2	213	125	88	300	76	
	4Ω/ch	2.7	263	150	113	386	97	
1/3 out	8Ω/ch	4.6	466	333	133	454	114	
	4Ω/ch	5.9	597	400	197	672	169	

		Line Current (A)		Watt (W)			Thermal Dissipation	
		230V	Powwer Consumption (In)	Power Consumption (out)	Watts Dissipated	Btu/h	kcal/h	
Idle		0.5	62	0	62	212	53	
1/8 out	8Ω/ch	1.4	219	125	94	321	81	
	4Ω/ch	1.6	271	150	121	413	104	
1/3 out	8Ω/ch	2.7	471	333	138	471	119	
	4Ω/ch	3.3	602	400	202	689	174	

● PX8

		Line Current (A)		Watt (W)			Thermal Dissipation	
		100V	Powwer Consumption (In)	Power Consumption (out)	Watts Dissipated	Btu/h	kcal/h	
Idle		0.8	57	0	57	195	49	
1/8 out	8Ω/ch	2.2	178	100	78	266	67	
	4Ω/ch	2.9	237	131	106	362	91	
1/3 out	8Ω/ch	4.6	386	267	119	406	102	
	4Ω/ch	6.4	543	350	193	659	166	

		Line Current (A)		Watt (W)			Thermal Dissipation	
		120V	Powwer Consumption (In)	Power Consumption (out)	Watts Dissipated	Btu/h	kcal/h	
Idle		0.7	60	0	60	205	52	
1/8 out	8Ω/ch	1.9	182	100	82	280	71	
	4Ω/ch	2.5	237	131	106	362	91	
1/3 out	8Ω/ch	3.8	385	267	118	403	101	
	4Ω/ch	5.4	542	350	192	655	165	

		Line Current (A)		Watt (W)			Thermal Dissipation	
		230V	Powwer Consumption (In)	Power Consumption (out)	Watts Dissipated	Btu/h	kcal/h	
Idle		0.5	62	0	62	212	53	
1/8 out	8Ω/ch	1.2	184	100	84	287	72	
	4Ω/ch	1.5	242	131	111	379	95	
1/3 out	8Ω/ch	2.2	385	267	118	403	101	
	4Ω/ch	3.0	544	350	194	662	167	

● PX5

		Line Current (A)		Watt (W)			Thermal Dissipation	
		100V	Powwer Consumption (In)	Power Consumption (out)	Watts Dissipated	Btu/h	kcal/h	
Idle		0.8	46	0	46	157	40	
1/8 out	8Ω/ch	1.9	122	63	59	201	51	
	4Ω/ch	2.7	189	100	89	304	77	
1/3 out	8Ω/ch	3.6	253	167	86	293	74	
	4Ω/ch	5.6	424	267	157	536	135	

		Line Current (A)		Watt (W)			Thermal Dissipation	
		120V	Powwer Consumption (In)	Power Consumption (out)	Watts Dissipated	Btu/h	kcal/h	
Idle		0.8	54	0	54	184	46	
1/8 out	8Ω/ch	1.7	130	63	67	229	58	
	4Ω/ch	2.4	196	100	96	328	83	
1/3 out	8Ω/ch	3.1	259	167	92	314	79	
	4Ω/ch	4.8	428	267	161	549	138	

		Line Current (A)		Watt (W)			Thermal Dissipation	
		230V	Powwer Consumption (In)	Power Consumption (out)	Watts Dissipated	Btu/h	kcal/h	
Idle		0.5	57	0	57	195	49	
1/8 out	8Ω/ch	1.0	130	63	67	229	58	
	4Ω/ch	1.4	197	100	97	331	83	
1/3 out	8Ω/ch	1.9	259	167	92	314	79	
	4Ω/ch	2.9	434	267	167	570	144	

● PX3

		Line Current (A)		Watt (W)			Thermal Dissipation	
		100V	Powwer Consumption (In)	Power Consumption (out)	Watts Dissipated	Btu/h	kcal/h	
Idle		0.8	46	0	46	157	40	
1/8 out	8Ω/ch	1.5	94	38	56	191	48	
	4Ω/ch	2.0	137	63	74	253	64	
1/3 out	8Ω/ch	2.6	174	100	74	253	64	
	4Ω/ch	3.9	285	167	118	403	101	

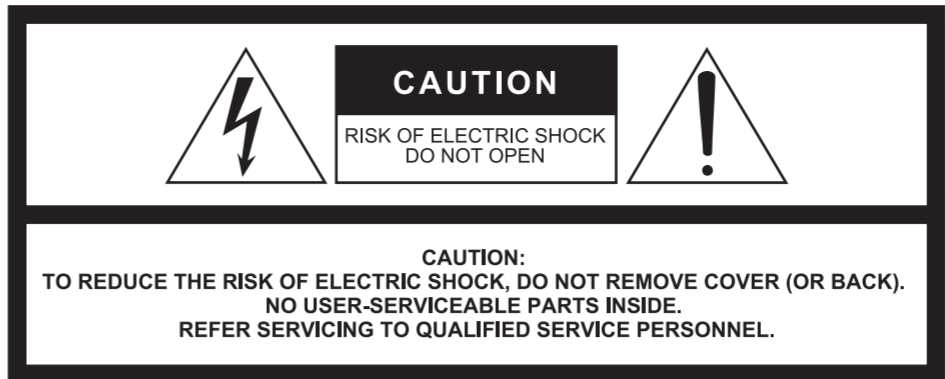
		Line Current (A)		Watt (W)			Thermal Dissipation	
		120V	Powwer Consumption (In)	Power Consumption (out)	Watts Dissipated	Btu/h	kcal/h	
Idle		0.8	54	0	54	184	46	
1/8 out	8Ω/ch	1.3	100	38	62	212	53	
	4Ω/ch	1.8	140	63	77	263	66	
1/3 out	8Ω/ch	2.3	183	100	83	283	71	
	4Ω/ch	3.4	291	167	124	423	107	

		Line Current (A)		Watt (W)			Thermal Dissipation	
		230V	Powwer Consumption (In)	Power Consumption (out)	Watts Dissipated	Btu/h	kcal/h	
Idle		0.5	57	0	57	195	49	
1/8 out	8Ω/ch	0.8	101	38	63	215	54	
	4Ω/ch	1.1	142	63	79	270	68	
1/3 out	8Ω/ch	1.4	181	100	81	276	70	
	4Ω/ch	2.1	293	167	126	430	108	

Test signal: Pink noise , bandwidth limited from 22Hz to 22kHz

1 Btu = 1,055.06 J = 0.252 kcal

(W) × 0.86 = kcal



The above warning is located on the top of the unit.

L'avertissement ci-dessus est situé sur le dessus de l'unité.

Explanation of Graphical Symbols

Explication des symboles



The lightning flash with arrowhead symbol within an equilateral triangle is intended to alert the user to the presence of uninsulated "dangerous voltage" within the product's enclosure that may be of sufficient magnitude to constitute a risk of electric shock to persons.

L'éclair avec une flèche à l'intérieur d'un triangle équilatéral est destiné à attirer l'attention de l'utilisateur sur la présence d'une « tension dangereuse » non isolée à l'intérieur de l'appareil, pouvant être suffisamment élevée pour constituer un risque d'électrocution.



The exclamation point within an equilateral triangle is intended to alert the user to the presence of important operating and maintenance (servicing) instructions in the literature accompanying the product.

Le point d'exclamation à l'intérieur d'un triangle équilatéral est destiné à attirer l'attention de l'utilisateur sur la présence d'instructions importantes sur l'emploi ou la maintenance (réparation) de l'appareil dans la documentation fournie.

IMPORTANT SAFETY INSTRUCTIONS

- Read these instructions.
- Keep these instructions.
- Heed all warnings.
- Follow all instructions.
- Do not use this apparatus near water.
- Clean only with dry cloth.
- Do not block any ventilation openings. Install in accordance with the manufacturer's instructions.
- Do not install near any heat sources such as radiators, heat registers, stoves, or other apparatus (including amplifiers) that produce heat.
- Do not defeat the safety purpose of the polarized or grounding-type plug. A polarized plug has two blades with one wider than the other. A grounding type plug has two blades and a third grounding prong. The wide blade or the third prong are provided for your safety. If the provided plug does not fit into your outlet, consult an electrician for replacement of the obsolete outlet.
- Protect the power cord from being walked on or pinched particularly at plugs, convenience receptacles, and the point where they exit from the apparatus.
- Only use attachments/accessories specified by the manufacturer.
- Use only with the cart, stand, tripod, bracket, or table specified by the manufacturer, or sold with the apparatus. When a cart is used, use caution when moving the cart/apparatus combination to avoid injury from tip-over.
- Unplug this apparatus during lightning storms or when unused for long periods of time.
- Refer all servicing to qualified service personnel. Servicing is required when the apparatus has been damaged in any way, such as power-supply cord or plug is damaged, liquid has been spilled or objects have fallen into the apparatus, the apparatus has been exposed to rain or moisture, does not operate normally, or has been dropped.



WARNING

TO REDUCE THE RISK OF FIRE OR ELECTRIC SHOCK, DO NOT EXPOSE THIS APPARATUS TO RAIN OR MOIS- TURE.

(UL60065_03)

Important Notice: Guarantee Information for customers in European Economic Area (EEA) and Switzerland

Important Notice: Guarantee Information for customers in EEA* and Switzerland	English
For detailed guarantee information about this Yamaha product, and Pan-EEA* and Switzerland warranty service, please either visit the website address below (Printable file is available at our website) or contact the Yamaha representative office for your country. * EEA: European Economic Area	
Wichtiger Hinweis: Garantie-information für Kunden in der EWR* und der Schweiz	Deutsch
Für nähere Garantie-Information über dieses Produkt von Yamaha, sowie über den Pan-EWR*- und Schweizer Garantieservice, besuchen Sie bitte entweder die folgend angegebene Internetadresse (eine druckfähige Version befindet sich auch auf unserer Webseite), oder wenden Sie sich an den für Ihr Land zuständigen Yamaha-Vertrieb. *EWR: Europäischen Wirtschaftsraum	
Remarque importante: informations de garantie pour les clients de l'EEE et la Suisse	Français
Pour des informations plus détaillées sur la garantie de ce produit Yamaha et sur le service de garantie applicable dans l'ensemble de l'EEE ainsi qu'en Suisse, consultez notre site Web à l'adresse ci-dessous (le fichier imprimable est disponible sur notre site Web) ou contactez directement Yamaha dans votre pays de résidence. * EEE : Espace Economique Européen	
Belangrijke mededeling: Garantie-informatie voor klanten in de EER* en Zwitserland	Nederlands
Voor gedetailleerde garantie-informatie over dit Yamaha-product en de garantieservice in heel de EER* en Zwitserland, gaat u naar de onderstaande website (u vind een afdrukbare bestand op onze website) of neemt u contact op met de vertegenwoordiging van Yamaha in uw land. * EER: Europese Economische Ruimte	
Aviso importante: información sobre la garantía para los clientes del EEE* y Suiza	Español
Para una información detallada sobre este producto Yamaha y sobre el soporte de garantía en la zona EEE* y Suiza, visite la dirección web que se incluye más abajo (la versión del archivo para imprimir esta disponible en nuestro sitio web) o póngase en contacto con el representante de Yamaha en su país. * EEE: Espacio Económico Europeo	
Avviso importante: informazioni sulla garanzia per i clienti residenti nell'EEA* e in Svizzera	Italiano
Per informazioni dettagliate sulla garanzia relativa a questo prodotto Yamaha e l'assistenza in garanzia nei paesi EEA* e in Svizzera, potete consultare il sito Web all'indirizzo riportato di seguito (è disponibile il file in formato stampabile) oppure contattare l'ufficio di rappresentanza locale della Yamaha. * EEA: Area Economica Europea	
Aviso importante: informações sobre as garantias para clientes da AEE* e da Suíça	Português
Para obter uma informação pormenorizada sobre este produto da Yamaha e sobre o serviço de garantia na AEE* e na Suíça, visite o site a seguir (o arquivo para impressão está disponível no nosso site) ou entre em contato com o escritório de representação da Yamaha no seu país. * AEE: Área Económica Europeia	
Ελληνική σημείωση: Πληροφορίες εγγύησης για τους πελάτες στον ΕΟΧ* και Ελλάδα	Ελληνικά
Πο λεπτομερείς πληροφορίες εγγύησης σχετικά με το παρόν προϊόν της Yamaha και την κάλυψη εγγύησης σε όλες τις χώρες του ΕΟΧ και την Ελλάδα, επισκεφτείτε την παρακάτω ιστοσελίδα (Εκτυπισητη μορφή είναι διαθέσιμη στην ιστοσελίδα μας) ή απευθυνθείτε στην αντιπροσωπεία της Yamaha στη χώρα σας. * ΕΟΧ: Ευρωπαϊκός Οικονομικός Χώρος	
Viktig Garantiinformation för kunder i EES-området* och Schweiz	Svenska
För detaljerad information om denna Yamahaprodukt samt garantiservice i hela EES-området* och Schweiz kan fås enten ved å besøke nettstedene nedenfor (utskriftsvänlig fil finnes på webbsplatsen) eller kontakte kontakte Yamaha-kontoret i landet der du bor. *EES: Det europeiske økonomiske samarbeidsområdet	
Viktig merknad: Garantinformasjon for kunder i EØS* og Sveits	Norsk
Detaljeret garantinformasjon om dette Yamaha-produktet og garantiservice for hele EØS-området* og Sveits kan fås enten ved å besøke nettstedene nedenfor (utskriftsversion finnes på våre nettsider) eller kontakte kontakte Yamaha-kontoret i landet der du bor. *EØS: Det europeiske økonomiske samarbeidsområdet	
Vigtig oplysning: Garantioplysninger til kunder i EØO* og Schweiz	Dansk
De kan finde detaljerede garantioplysninger om dette Yamaha-produkt og den fælles garantiserviceordning for EØO* (og Schweiz) ved at besøge det websted, der er angivet nedenfor (der findes en fil, som kan udskrives, på vores websted), eller ved at kontakte Yamahas nationale repræsentationskontor i det land, hvor De bor. * EØO: Det Europæiske Økonomiske Område	

FCC INFORMATION (U.S.A.)

- IMPORTANT NOTICE: DO NOT MODIFY THIS UNIT!** This product, when installed as indicated in the instructions contained in this manual, meets FCC requirements. Modifications not expressly approved by Yamaha may void your authority, granted by the FCC, to use the product.
- IMPORTANT:** When connecting this product to accessories and/or another product use only high quality shielded cables. Cable/s supplied with this product MUST be used. Follow all installation instructions. Failure to follow instructions could void your FCC authorization to use this product in the USA.
- NOTE:** This product has been tested and found to comply with the requirements listed in FCC Regulations, Part 15 for Class "B" digital devices. Compliance with these requirements provides a reasonable level of assurance that your use of this product in a residential environment will not result in harmful interference with other electronic devices. This equipment generates/uses radio frequencies and, if not installed and used according to the instructions found in the users manual, may cause interference harmful to the operation of other electronic devices. Compliance with FCC regulations does not guar-

antee that interference will not occur in all installations. If this product is found to be the source of interference, which can be determined by turning the unit "OFF" and "ON", please try to eliminate the problem by using one of the following measures:

Relocate either this product or the device that is being affected by the interference.

Utilize power outlets that are on different branch (circuit breaker or fuse) circuits or install AC line filter/s.

In the case of radio or TV interference, relocate/reorient the antenna. If the antenna lead-in is 300 ohm ribbon lead, change the lead-in to co-axial type cable.

If these corrective measures do not produce satisfactory results, please contact the local retailer authorized to distribute this type of product. If you can not locate the appropriate retailer, please contact Yamaha Corporation of America, Electronic Service Division, 6600 Orangethorpe Ave, Buena Park, CA90620

The above statements apply ONLY to those products distributed by Yamaha Corporation of America or its subsidiaries.

* This applies only to products distributed by YAMAHA CORPORATION OF AMERICA.

(class B)

Tärkeä ilmoitus: Takuutiedot Euroopan talousalueen (ETA)* ja Sveitsin asiakkaille	Suomi
Tämän Yamaha-tuotteen sekä ETA-alueen ja Sveitsin takuuta koskevat yksityiskohtaiset tiedot saatte alla olevasta nettiosoitteesta. (Tulostettava tiedosto saatavissa sivustollamme.) Voitte myös ottaa yhteyttä paikalliseen Yamaha-edustajaan. *ETA: Euroopan talousalue	
Ważne: Warunki gwarancyjne obowiązujące w EOG* i Szwajcarii	Polski
Aby dowiedzieć się więcej na temat warunków gwarancyjnych tego produktu firmy Yamaha i serwisu gwarancyjnego w całym EOG* i Szwajcarii, należy odwiedzić wskazaną poniżej stronę internetową (Plik gotowy do wydruku znajduje się na naszej stronie internetowej) lub skontaktować się z przedstawicielstwem firmy Yamaha w swoim kraju. * EOG — Europejski Obszar Gospodarczy	
Důležité oznámení: Záruční informace pro zákazníky v EHS* a ve Švýcarsku	Česky
Podrobné záruční informace o tomto produktu Yamaha a záručním servisu v celém EHS* a ve Švýcarsku naleznete na níže uvedené webové adrese (soubor k tisku je dostupný na našich webových stránkách) nebo se můžete obrátit na zastoupení firmy Yamaha ve své zemi. * EHS: Evropský hospodářský prostor	
Fontos figyelemztetés: Garancia-információk az EGT* területén és Svájcban élő vásárlók számára	Magyar
A jelen Yamaha terméknek vonatkozó részletes garancia-információk, valamint az EGT*-re és Svájcra kiterjedő garanciális szolgáltatás tekintetében keresse fel webhelyünket az alábbi címen (a webhelyen nyomtatható fájl is talál), vagy pedig lépjen kapcsolatba az országában működő Yamaha képviseltetivel. * EGT: Európai Gazdasági Térség	
Oluline märkus: Garantiteave Euroopa Majanduspiirkonna (EMP)* ja Šveitsi klientidele	Eesti keel
Täpsema teabe saamiseks selle Yamaha toote garantii ning kogu Euroopa Majanduspiirkonna ja Šveitsi garantiteeninduse kohta, külastage palun veebisaiti alljärgneval aadressil (meie saidil on saadaval printida fail) või pöörduge Teie regiooni Yamaha esinduse poole. * EMP: Euroopa Majanduspiirkond	
Svarige paziņojums: garantijas informācija klientiem EEZ* un Šveicā	Latviešu
Lai saņemtu detalizētu garantijas informāciju par šo Yamaha produktu, kā arī garantijas apkalpošanu EEZ* un Šveicā, lūdzam apmeklējiet mūsu norādīto tīmekļa vietnes adresi (tīmekļa vietnē ir pieejams drukājams fails) vai sazinieties ar jūsu valsti apkalpojāšo Yamaha pārstāvniecību. * EEZ: Eiropas Ekonomikas zona	
Děmesio: informacija dėl garantijos pirkėjams EEE* ir Šveicarijoje	Lietuvių kalba
Jei reikia išsamios informacijos apie šį „Yamaha“ produktą ir jo techninę priežiūrą visoje EEE* ir Šveicarijoje, apsilankykite mūsų svetainėje toliau nurodytu adresu (svetainėje yra spausdinamas failas) arba kreipkitės į „Yamaha“ atstovybę savo šalyje. *EEE – Europos ekonominė erdvė	
Dôležité upozornenie: Informácie o záruke pre zákazníkov v EHP* a Švajčiarsku	Slovenčina
Podrobné informácie o záruke týkajúce sa tohto produktu od spoločnosti Yamaha a garancijnom servise v EHP* a Švajčiarsku nájdete na webovej stránke uvedenej nižšie (na našej webovej stránke je k dispozícii súbor na tlač) alebo sa obráťte na zástupcu spoločnosti Yamaha vo svojej krajine. * EHP: Európsky hospodársky priestor	
Pomembno obvestilo: Informacije o garanciji za kupce v EGP* in Švici	Slovenščina
Za podrobnejše informacije o tem Yamahinem izdelku ter garancijskem servisu v celotnem EGP in Švici, obiščite spletno mesto, ki je navedeno spodaj (natisljiva datoteka je na voljo na našem spletnem mestu), ali se obrnite na Yamahinega predstavnika v svoji državi. * EGP: Evropski gospodarski prostor	
Важно съобщение: Информация за гаранцията за клиенти в ЕИП* и Швейцария	Български език