

# DCS-990M Digital Controller Unit with Recorder



**DCS-990M** is a fully digital conference central control unit, which centralized processing and control discussion, Clear sound, hi-fidelity, built in USB port for recording in MP3 format and Support up to 64GB drive, built-in telephone coupler input/output, Built-in Digital automatic feedback suppression, Built-in Video switcher processor 4IN/2OUT for SD video camera, Support control HD video camera and SD video camera up to 4 unit, Support up to 60 units and can be expanded to discussion up to 5,000 units.

DCS-990M Supports multiple meeting for :

- Corporate meeting Rooms.
- Government meeting room & City Council Meeting.
- Education institutions.
- Courtrooms.
- Non-profit organizations.

### Certifications : CE and RoHS

The DCS-990M conforms to standard

- IEC 62321
- EN 55013 , EN 55020 , EN 60065 , EN 61000

### Feature

- Fully digital conference system.
- Discussing and video-tracking combined conference system.
- Easy to control meeting mode and the number of speakers by the buttons on the panel.
- Larg LCD screen displays 240 x 128 dot matrix display conference mode working status.
- The microphone can open at same time : 1,2,3,4,5,6 and all microphone.
- The DCS-990M can support 60 microphone units. And can able to support microphone up to 5000 units by power extended machine.
- The electrical load and short circuit protection function.
- The power switch turn-on/off without silent noise.
- Equipped with audio parallel output and a 6.3 jack output, conference recording outputs and background music inputs interface.
- Built in USB port for recording with light indicator. (Maximum 64GB)
- Built-in telephone coupler input and output ports, can be used for a remote meeting.
- Built-in DAFS Function Digital automatic feedback suppression is controlled It can facility automatically eliminates acoustic feedback.
- RS232 interface can be achieved using computer software to control entire conference system function.
- Built-in Video switcher processor 4IN/2OUT for Standard Definition video camera.
- Support control High Definition (HD) video camera and Standard Definition (SD) video camera up to 4 unit.
- Support protocol camera control Pelco-D, Pelco-P and Visca.
- Seven operational microphone modes:
  1. CHAIRMAN mode: Only chairman can speech.
  2. FIFO mode: After reaching limit number (1-6) when open new delegate microphone the first microphones will close automatic.
  3. LIFO mode: After reaching limit number (1-6) when open new delegate microphone the last delegate microphones will close automatic.
  4. LIMIT mode: Limit microphones (1-6) can open on the same time.
  5. FREE mode: All delegate microphones can open on the same time.
  6. REQUEST mode: The all delegate microphone unit can be open after the chairman approve only.
  7. TEST mode: Light-ring all delegate microphone in system will turn on for check all delegate microphone status is ready to used.

- Fully digital conference system.
- Discussing and video-tracking combined conference system.
- Built-in DAFS Function Digital automatic feedback suppression.
- Built in USB port for recording with light indicator.
- Easy to control meeting mode and the number of speakers by the buttons on the panel.
- Larg LCD screen displays 240 x 128 dot matrix display conference mode working status.
- The microphone can open at same time : 1,2,3,4,5,6 and full opening.
- The DCS-990M can support 60 microphone units. And can able to support microphone up to 5000 units by power extended machine.
- Built-in Video switcher processor 4IN/2OUT for SD camera.
- Support control HD camera and SD camera up to 4 unit.
- Seven operational microphone modes:

1. CHAIRMAN mode
2. FIFO mode
3. LIFO mode
4. LIMIT mode
5. FREE mode
6. REQUEST mode
7. TEST mode

### Controls and Indicators



#### Front

- Power on/off switch.
- Record on/off button with light indicators.
- 1 LCD display for status information and configuration.
- 1 button (VOL+) for increase volume.
- 1 button (ENTER) for enter to the Menu.
- 1 button (VOL-) for reduce volume.
- 1 button (ESC) for Return or Exit.
- 1 button (Ok) for select ok.
- 1 button (^) for select menu to the top.
- 1 button (v) for select menu to the bottom.
- 1 button (<) for select menu to the left.
- 1 button (>) for select menu to the right.

# DCS-990M Digital Controller Unit with Recorder

## Interconnections and Controls



### Back

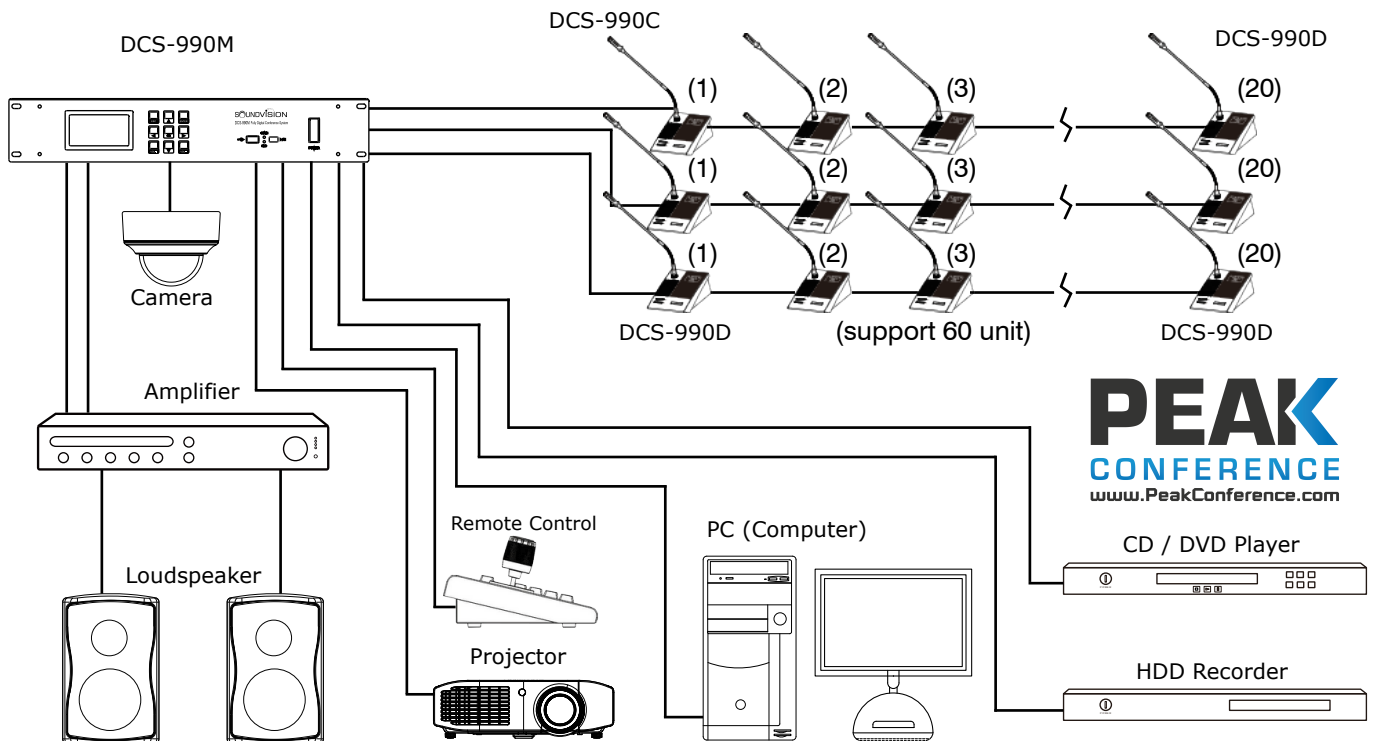
- One three-pole XLR balanced audio line output.
- 2 x RCA sockets Connector, Rec output or Aux output.
- 2 x RCA sockets Connector, Line input or Aux input.
- 3 x Circular din connectors 8P DIN panel female for loop through interconnection.
- 1 x Circular din connectors 8P DIN panel female for extension connection of conference units.
- 1 x 1/4" Female panel mount Jack MIX output.
- 1 x 9-Pin female serial connector (RS232) for control entire conference system function via software computer.
- 2 x BNC connector for Video output.
- 4 x BNC connector for Video input.
- 1 x RS485 port for control camera.
- 1 x 6-Pin RJ11 female connector for input Telephone cable.
- 1 x 6-Pin RJ11 female connector for output Telephone cable.

- 1 x Button switch for DAFS on/off.
- 1 x AC input.

## Specifications

Power Supply	AC 100-240V
Max Power Consumption	120W
Frequency response	30Hz-18kHz
Input impedance	LINE:50KΩ DIN:50KΩ
Output impedance	RECORD :200Ω LINE :200Ω BALANCE: 300Ω UNBALANCE: 400Ω
Signal to Noise Ratio	> 100dB @ 1KHz
Total Harmonic Distortion Ratio	< 1 % @ 1kHz
Operation temperature	-20°C ~ 70°C
Storage temperature	-30°C ~ 80°C
Color	Silver
Dimensions	480x85x370 mm
Weight	5.5 Kg
Set	19 inches racks

## Diagram



**PEAK**  
CONFERENCE  
www.PeakConference.com