



The Atlona AT-UHD-PRO3-66M is a dual-distance 6x6 HDMI to HDBaseT™ matrix switcher for 4K/UHD @ 60Hz video signals with Power over Ethernet for receivers and analog audio breakout. The matrix provides flexible HDBaseT routing with both extended distance, 328 foot (100 meter) and long distance, 230 foot (70 meter) transmission over category cable with bidirectional extension of both RS-232 and IR Control. Two HDMI outputs are provided as mirrored outputs designed for routing HDMI-based audio to an AVR or as additional matrix outputs. The matrix switcher is HDCP 2.2 compliant and supports EDID communication. The matrix is control system-friendly and integrates with any TCP/IP, RS-232, or IR based control signals. Designed for multi-zone residential or commercial distribution applications, the AT-UHD-PRO3-66M features a 2U, rack-mountable enclosure with internal, international power supply.

The matrix switcher features advanced capabilities for AV signal distribution and a host of integrator-friendly features. The switcher supports 4K/UHD @ 60 Hz, 4:2:0, 8-bit video signals; offers 3D pass-through and meets HDCP 2.2 copy protection standards. Remote power for compatible Atlona UHD-EX Series HDBaseT receivers is provided using industry standard IEEE 802.3af PoE supplied by the switcher over HDBaseT links. Professional audio capabilities include analog audio de-embedding with volume, mute, and 5-band EQ for the first four output zones on line level, captive screw connectors. The matrix supports digital audio signals up to 192 kHz/24-bits. Flexible control capability is provided by the supplied IR remote, front panel control, GUI-based integrated web server as well as compatibility with TCP/IP, RS-232, or IR based control system.

#### Six HDBaseT outputs with dual-distance transmission of A/V, control and power signals over a single category cable -

- Two extended distance, 328 foot (100 meter) outputs and four long distance, 230 foot (70 meter) outputs offer bidirectional extension of both RS-232 and IR control plus remote power

##### Compatible receivers:

*AT-UHD-EX-100CE-RX (100 meter with control)*  
*AT-UHD-EX-70C-RX (70 meter with control)*

- Ensures distance and value requirements are addressed to meet the needs of the installation and budget

#### Two HDMI outputs with independently selectable mirror and matrix modes -

- Switchable HDMI outputs can mirror any HDBaseT output for routing HDMI-based audio signals to AVRs; in matrix mode, HDMI outputs can become additional matrix outputs
- Provides output flexibility to facilitate a variety of output needs and destinations

#### 4K/UHD capability with HDCP 2.2 copy protection -

- Compatible with ultra high definition PCs and other sources and displays and adheres to latest content protection specification
- Future proofs AV systems in preparation for technology improvements, 4K/UHD streaming services and playback devices

#### Power over Ethernet for remote-powered receivers -

- Industry standard IEEE 802.3af PoE supplied by the matrix over HDBaseT
- No local AC outlet required; saves time and integration costs

#### Audio de-embedding -

- Stereo, line level audio breakout with volume, mute, and 5-band EQ on captive screw connectors for the first four output zones
- Provides audio signal routing to sound system

#### TCP/IP, RS-232, and IR control -

- Flexible control options compatible with 3rd-party control systems
- Reduces integration time and costs

## Specifications

### Video Resolutions

Video	4096x2160@24/25/30/50*/60Hz*, 3840x2160@24/25/30/50*/60Hz* (UHD), 2048x1080p, 1080p@23.98/24/25/29.97/30/50/59.94/60Hz, 1080i@50/59.94/60Hz, 720p@50/59.94/60Hz, 576p, 576i, 480p, 480i
VESA	2560x2048, 2560x1600, 2048x1536, 1920x1200, 1680x1050, 1600x1200, 1600x900, 1440x900, 1400x1050, 1366x768, 1360x768, 1280x1024, 1280x800, 1280x768, 1152x768, 1024x768, 800x600, 640x480
Colorspace	YUV, RGB
Chroma Subsampling	4:4:4, 4:2:2, 4:2:0
Color depth	8-bit, 10-bit, 12-bit

### Audio

Analog Output	PCM 2Ch (de-embedded)
HDMI/HDBaseT Output	PCM 2Ch, LPCM 5.1, LPCM 7.1, Dolby Digital, DTS 5.1, Dolby Digital Plus, Dolby TrueHD, DTS-HD Master Audio, Dolby Atmos
Sample Rate	32kHz, 44.1kHz, 48kHz, 88.2kHz, 96kHz, 176.4kHz, 192kHz
Bit rate	up to 24-bit

### Distance

Ports 1-2: CAT5e/6 @ 4K	up to 70M	up to 230 ft
Ports 1-2: CAT6a/7 @ 4K	up to 100M	up to 328 ft
Ports 1-2: CAT5e/6 @ 1080p	up to 100M	up to 328 ft
Ports 3-5,7: CAT5e/6 @ 4K	up to 35 meters	up to 115 feet
Ports 3-5,7: CAT6a/7 @ 4K	up to 40 meters	up to 130 feet
Ports 3-5,7: CAT5e/6 @ 1080p	up to 60 meters	up to 197 feet
Ports 3-5,7: CAT6a/7 @ 1080p	up to 70 meters	up to 230 feet
HDMI IN/OUT @ 4K	up to 5 meters	up to 15 feet
HDMI IN/OUT @ 1080p	up to 10 meters	up to 30 feet

### Signal

Bandwidth	10.2 Gbps
CEC	No
HDCP	2.2

### Temperature

Operating	0°C to 40°C	32°F to 104°F
Storage	-40°C to 70°C	-40°F to 158°F
Humidity	20 to 90% non-condensing	

### Power

Consumption	110W
Idle Consumption	75W
Supply	AC 100~240V 50/60Hz

### Dimension

H x W x D w/feet	99.02 x 439.74 x 301.63 (mm)	3.90 x 17.31 x 11.88 (inch)
H x W x D w/rack ears	88.63 x 482.60 x 301.63 (mm)	3.49 x 19.00 x 11.88 (inch)
Rack Unit	2U	

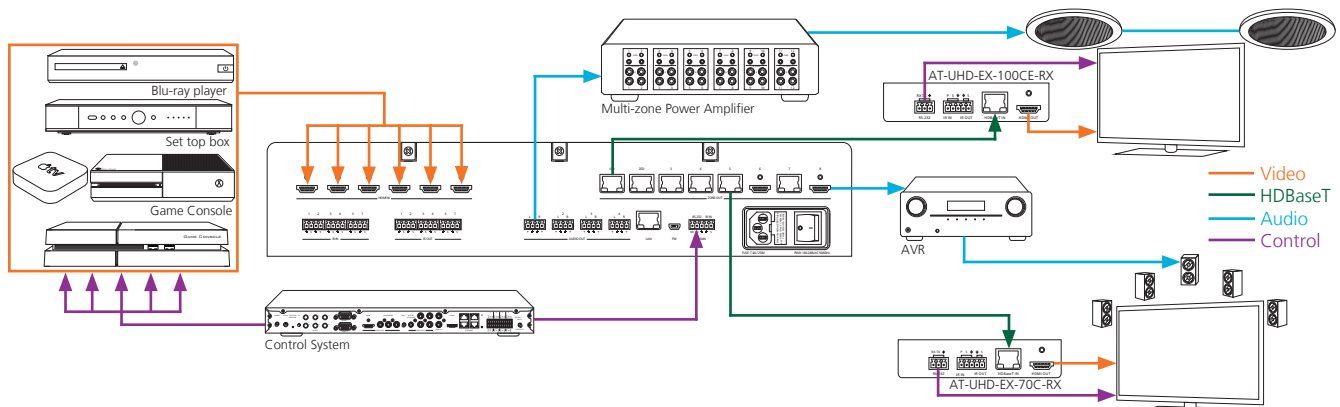
### Weight

Device	5.18 kg	11.4 lbs
--------	---------	----------

### Certification

Product	CE, FCC, RoHS, RCM, TUV
---------	-------------------------

\*\*4096x2160@50/60Hz & 3840x2160@50/60Hz supported @ chroma subsampling 4:2:0 8-bit only



Specifications and availability subject to change without notice. Actual products, product images, and online product images may vary from images shown here. Not responsible for typographical errors.