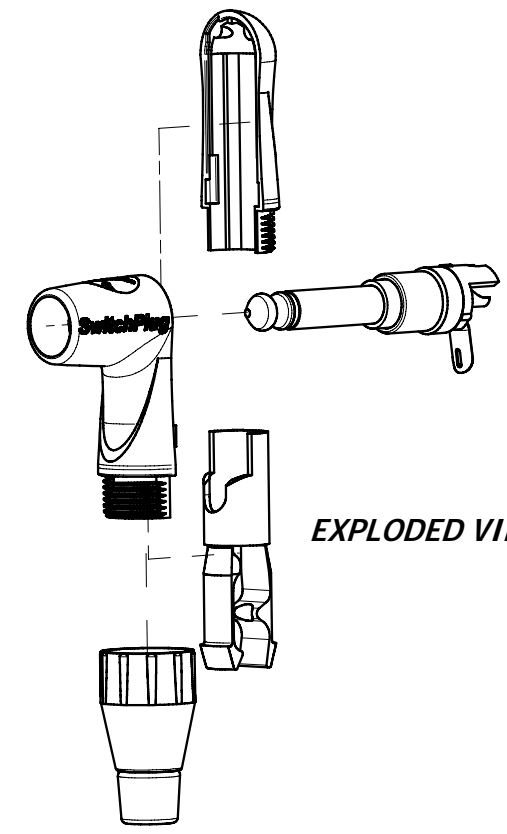
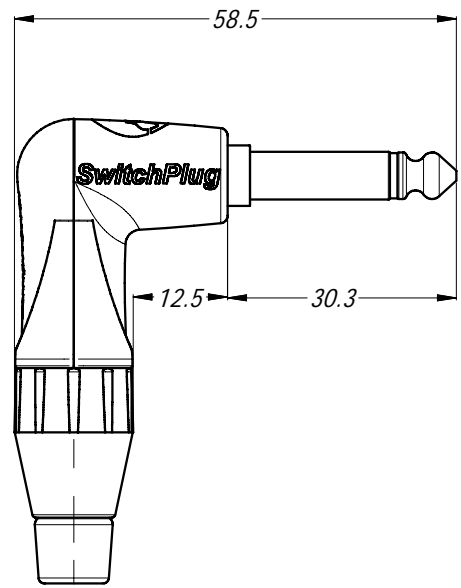
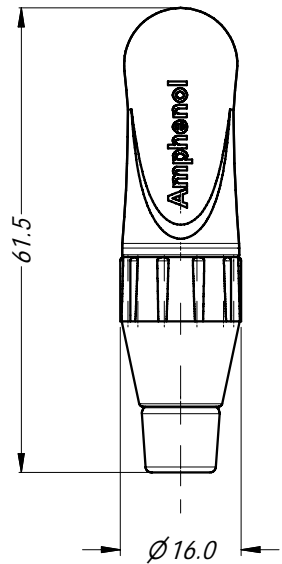


LEGEND  = KEY PRODUCT CHARACTERISTICS

REVISION HISTORY				
REV	DESCRIPTION	BY	DATE	ECN
0	FIRST ISSUE	T.N	26/11/10	8968



PEAK
CONFERENCE
www.PeakConference.com

PART NUMBER BREAKDOWN

TM1R B J - AU BULK

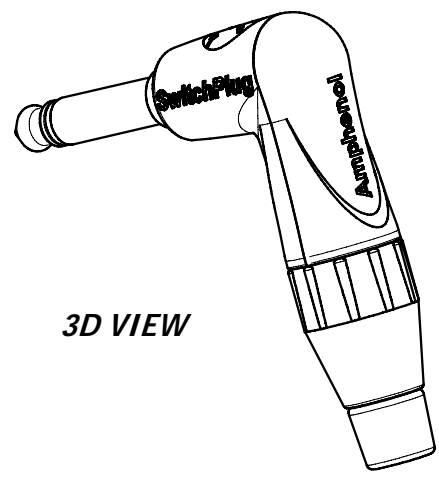
SERIES DESIGNATION

SHELL FINISH
BLANK: NICKEL
B: BLACK

CONTACT FINISH
BLANK: NICKEL
AU: GOLD

CABLE CLAMP
BLANK: STANDARD
J: LARGE

PACKING:
BLANK: SINGLE
BULK: BULK PACK



3D VIEW

NOTES:

- STANDARD JAW CABLE CLAMP (BLACK) USED FOR CABLE OD 3.0 mm TO 5.5mm
LARGE JAW CABLE CLAMP (PURPLE) USED FOR CABLE OD 5.5mm TO 6.5mm

UNLESS OTHERWISE SPECIFIED TOLERANCE TO BE		THIS DOCUMENT IS THE PROPERTY OF AMPHENOL AUSTRALIA PTY. LTD. NO PART THEREOF MAY BE REPRODUCED AND USED WITHOUT THE PRIOR WRITTEN CONSENT OF THE OWNER				Amphenol Amphenol Australia Pty.Ltd, 2 Fiveways Blvd, Keysborough, VIC 3173	
LINEAR	ANGULAR	MATERIAL:	DRN:	DATE:	TITLE:	PART No.	
X ± 0.5	X' ± 1	SEE COMPONENTS	T.N	13/10/10	SWITCH PLUG RIGHT ANGLE PRO RANGE	SEE P/No. BREAKDOWN	
X.X ± 0.1	X.X' ± 30'	DO NOT SCALE	P.M	13/10/10		DRAWING No.	SHEET
X.XX ± 0.05	X.XX' ± 15'	FINISH: SEE PART No.	P.M	13/10/10		55010717-000-2	2/2
BREAK ALL SHARP EDGES AND REMOVE ALL BURRS		THIRD ANGLE PROJECTION		SCALE: 1:1	SIZE: A4	CAD FILE: 55010717000110	
DIMENSIONS IN MILLIMETRES							