

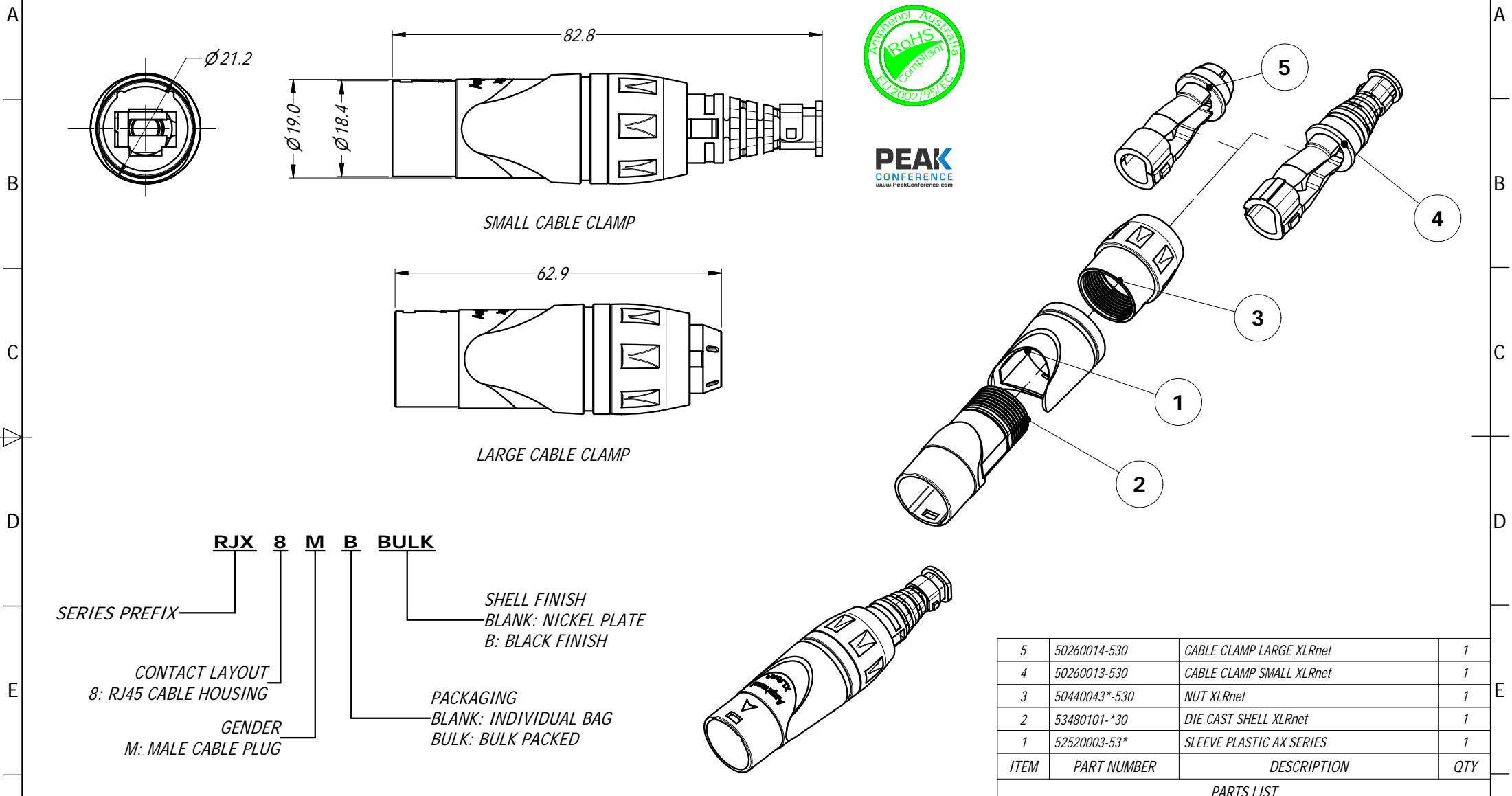
LEGEND

= CRITICAL INSPECTION DIMENSIONS.

= KEY PRODUCT CHARACTERISTICS

NOTES: DEVIATIONS FROM INITIAL APPROVED SAMPLES MUST BE SUBMITTED FOR APPROVAL.

REVISION HISTORY						
REV	ZONE	DESCRIPTION	BY	APPR	DATE	ECN
1		FIRST ISSUE	T.N	P.M	08/08/12	9148



SERIES PREFIX

RJX 8 **M** **B** **BULK**

CONTACT LAYOUT
8: RJ45 CABLE HOUSING

GENDER
M: MALE CABLE PLUG

SHELL FINISH
BLANK: NICKEL PLATE
B: BLACK FINISH

PACKAGING
BLANK: INDIVIDUAL BAG
BULK: BULK PACKED

ITEM	PART NUMBER	DESCRIPTION	QTY
5	50260014-530	CABLE CLAMP LARGE XLRnet	1
4	50260013-530	CABLE CLAMP SMALL XLRnet	1
3	50440043*-530	NUT XLRnet	1
2	53480101-*30	DIE CAST SHELL XLRnet	1
1	52520003-53*	SLEEVE PLASTIC AX SERIES	1

PARTS LIST

NOTES:

1. BOTH CABLE CLAMPS LARGE & SMALL ARE PACKED IN THE SAME BAG OF CONNECTOR KIT

UNLESS OTHERWISE SPECIFIED TOLERANCE TO BE		THIS DOCUMENT IS THE PROPERTY OF AMPHENOL AUSTRALIA PTY. LTD. NO PART THEREOF MAY BE REPRODUCED AND USED WITHOUT THE PRIOR WRITTEN CONSENT OF THE OWNER.		Amphenol Amphenol Australia Pty.Ltd, 2 Fiveways Blvd, Keysborough, VIC 3173	
LINEAR	ANGULAR	MATERIAL: SEE COMPONENTS	DRN: T.N	DATE: 08/08/12	TITLE: XLRnet PLUG CABLE CONNECTOR
X ± 0.5	X' ± 1	FINISH: SEE COMPONENTS	CKD: P.M	DATE: 09/08/12	PART No: RJX8M*
X.X ± 0.1	X.X' ± 30'	BREAK ALL SHARP EDGES AND REMOVE ALL BURRS	APP'D: P.M	DATE: 09/08/12	REV: 1
X.XX ± 0.05	X.XX' ± 15'	DO NOT SCALE	SCALE: 1:1	SIZE: A4	DRAWING No. 55010849-000-1
DIMENSIONS IN MILLIMETRES		THIRD ANGLE PROJECTION		SHEET: 1/1	