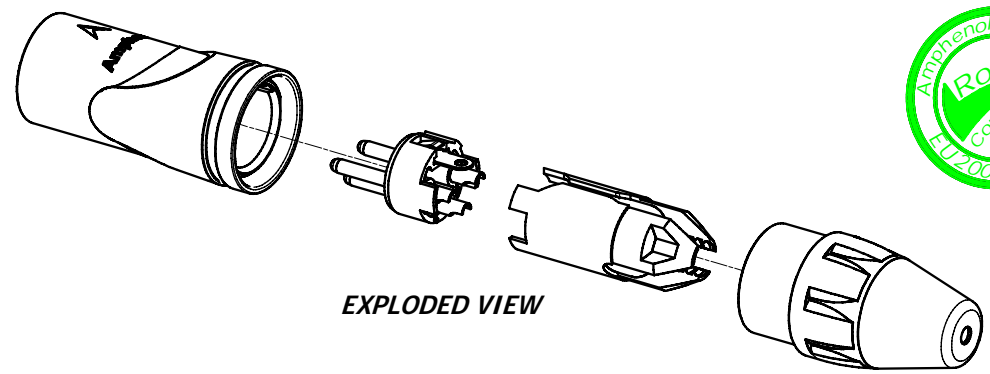
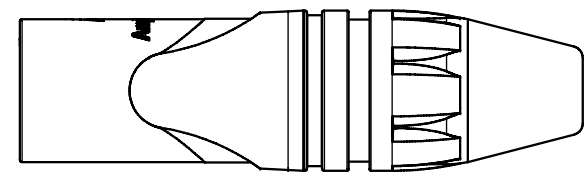
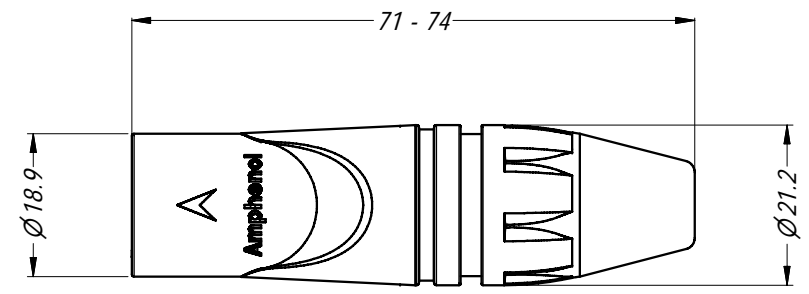
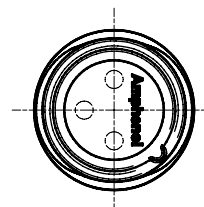


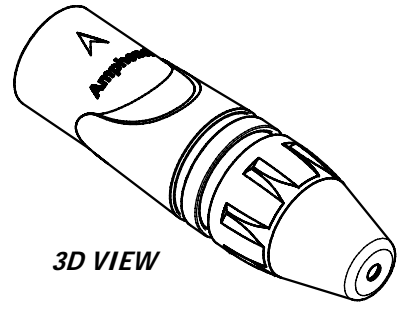
PART NUMBER BREAKDOWN

AX3MB1-AU BULK

<p>SERIES PREFIX AX3M = 3 PIN MALE AX4M = 4 PIN MALE AX5M = 5 PIN MALE</p>
<p>SHELL FINISH BLANK = NICKEL PLATED B = BLACK</p>
<p>SLEEVE COLOR BLANK = BLACK 1 = BROWN 2 = RED 3 = ORANGE 4 = YELLOW 5 = GREEN 6 = BLUE 7 = VIOLET 8 = GREY 9 = WHITE C = CLEAR</p>
<p>CONTACT PLATING BLANK = SILVER PLATE AU = GOLD PLATE</p>
<p>PACKAGING BLANK = INDIVIDUAL BAGS BULK = BULK PACKED</p>



EXPLODED VIEW



3D VIEW

UNLESS OTHERWISE SPECIFIED TOLERANCE TO BE		THIS DOCUMENT IS THE PROPERTY OF AMPHENOL AUSTRALIA PTY. LTD. NO PART THEREOF MAY BE REPRODUCED AND USED WITHOUT THE PRIOR WRITTEN CONSENT OF THE OWNER				Amphenol Amphenol Australia Pty.Ltd, 2 Fiveways Blvd, Keysborough, VIC 3173	
LINER	ANGULAR	MATERIAL: SEE COMPONENTS		DRN: T.N	DATE: 24/06/08	TITLE: XLR MALE PLUG AX SERIES CUSTOMER DRAWING	
X ± 0.5	X° ± 1	DO NOT SCALE		CKD: P.M	DATE: 22/12/08	PART No: SEE P/No BREAKDOWN	
X.X ± 0.1	X.X° ± 30°	FINISH:		APP'D: P.M	DATE: 22/12/08	DRAWING NO. SHEET	
X.XX ± 0.05	X.XX° ± 15°	DIMENSIONS IN MILLIMETRES		SCALE: 1:1	SIZE: A4	CAD FILE: 55010534000210	
BREAK ALL SHARP EDGES AND REMOVE ALL BURRS		THIRD ANGLE PROJECTION		SCALE: 1:1		55010534-000-2 2/2	