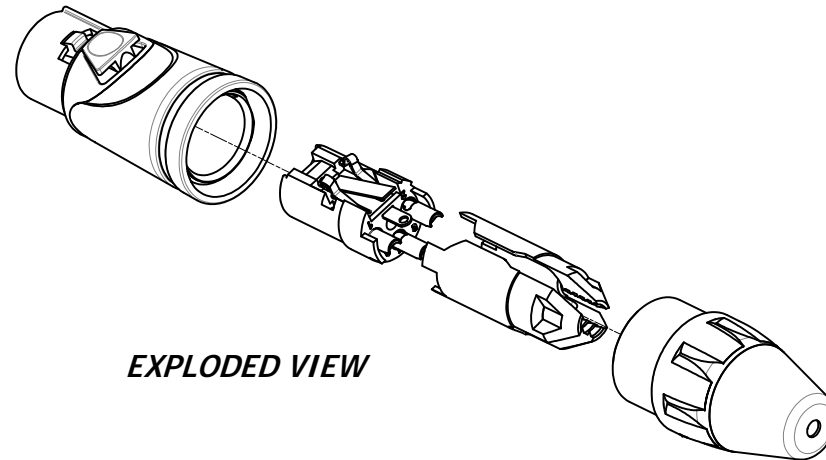
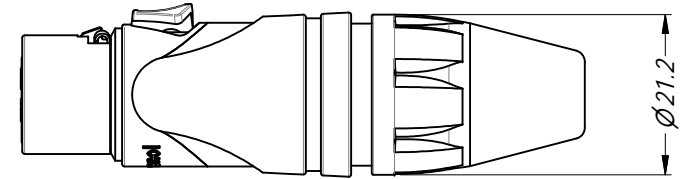
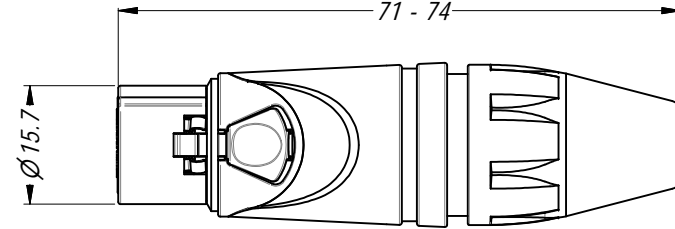
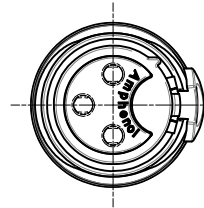


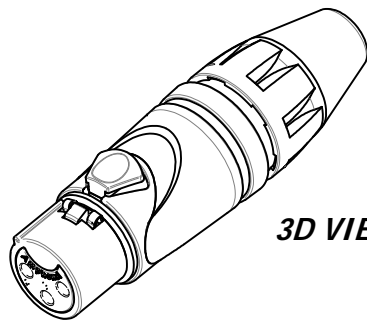
**PART NUMBER BREAKDOWN**

***AX3FB1-AU BULK***

<b>SERIES PREFIX</b> AX3F = 3 SOCKET FEMALE AX4F = 4 SOCKET FEMALE AX5F = 5 SOCKET FEMALE
<b>SHELL FINISH</b> BLANK = NICKEL PLATED B = BLACK
<b>SLEEVE COLOR</b> BLANK = BLACK 1 = BROWN 2 = RED 3 = ORANGE 4 = YELLOW 5 = GREEN 6 = BLUE 7 = VIOLET 8 = GREY 9 = WHITE C = CLEAR
<b>CONTACT PLATING</b> BLANK = STANDARD AU = GOLD PLATE
<b>PACKAGING</b> BLANK = INDIVIDUAL BAGS BULK = BULK PACKED



**EXPLODED VIEW**



**3D VIEW**

UNLESS OTHERWISE SPECIFIED TOLERANCE TO BE		THIS DOCUMENT IS THE PROPERTY OF AMPHENOL AUSTRALIA PTY. LTD. NO PART THEREOF MAY BE REPRODUCED AND USED WITHOUT THE PRIOR WRITTEN CONSENT OF THE OWNER				<b>Amphenol</b> Amphenol Australia Pty.Ltd, 2 Fiveways Blvd, Keysborough, VIC 3173	
LINEAR	ANGULAR	MATERIAL: <b>SEE COMPONENTS</b>		DRN: T.N	DATE: 25/06/08	TITLE: <b>XLR FEMALE PLUG AX SERIES CUSTOMER DRAWING</b>	
X ±0.5	X° ±1	BREAK ALL SHARP EDGES AND REMOVE ALL BURRS		CKD: P.M	DATE: 22/12/08	PART No: <b>SEE P/No BREAKDOWN</b>	
X.X ±0.1	X.X° ±30°	DO NOT SCALE		APP'D: P.M	DATE: 22/12/08	DRAWING NO. SHEET	
X.XX ±0.05	X.XX° ±15°	DIMENSIONS IN MILIMETRES		SCALE: <b>1:1</b>	SIZE: <b>A4</b>	CAD FILE: 5501535000210	
		THIRD ANGLE PROJECTION				<b>55010535-000-2</b> 2/2	