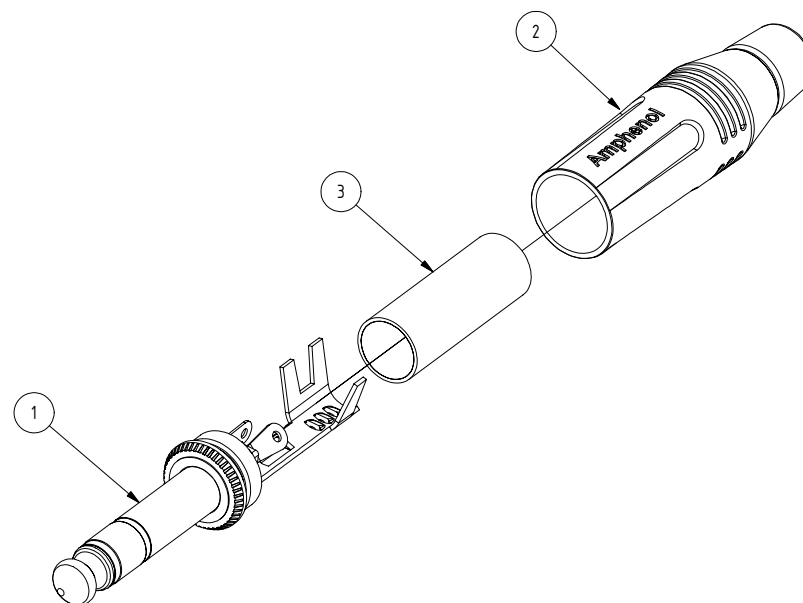


ISO VIEW



Parts List				
ITEM	PART NUMBER	DWG No	DESCRIPTION	QTY
1	50310006-*30	50310006-130-1	INSERT ASSEMBLY	1
2	53490001-*31	53490001-331-1	BACKSHELL ASSEMBLY	1
3	51270016-521	51270013-521-1	PVC INSUALTION TUBE	1

Part Numbers According to Shell and Contact Finish			
CATALOGUE P/No	REFERENCE P/No.	SHELL FINISH	CONTACT FINISH
ACPS-GN	55010217-000	NICKEL	NICKEL RING, SLEEVE AND TIP
ACPS-GN-AU	55010217-001	NICKEL	GOLD RING, SLEEVE AND TIP
ACPS-GB	55010217-002	BLACK	NICKEL RING, SLEEVE AND TIP
ACPS-GB-AU	55010217-003	BLACK	GOLD RING, SLEEVE AND TIP

UNLESS OTHERWISE SPECIFIED TOLERANCE TO BE		THIS DOCUMENT IS THE PROPERTY OF AMPHENOL AUSTRALIA PTY LTD. NO PART THEREOF MAY BE REPRODUCED AND USED WITHOUT THE PRIOR WRITTEN CONSENT OF THE OWNER				1	UPDATE TO MODIFIED COMPONENT	LV	1/03/2004	8241
LINEAR		ANGULAR		CAD FILE: 55010217000111		0	FIRST ISSUE	T.N	21/11/2002	----
X ± 0.5	X _c ± 1			DSD:	T.N	REV.		BY	DATE	CHG/No
X.XX ± 0.1	X.XX ± 30'			MATL: REFER TO COMPONENTS	CKD:	M.N.H	DATE: 04-05-04		CHANGE DETAILS	
X.XXX ± 0.05	X.XX ± 15'			DO NOT SCALE	FINISH:	SEE TABLE	APP'D:	P.M	DATE: 04-05-04	
BREAK ALL SHARP EDGES AND REMOVE ALL BURRS		DIMENSIONS IN		MILIMETRES		THIRD ANGLE PROJECTION		SCALE:	2:1 UOS	PART No: SEE TABLE
								SIZE: A3		TITLE: 1/4" PHONE PLUG STEREO ASSY
								DRAWING NO. 55010217-000-1		SHEET 1/1

Amphenol

Amphenol Australia Pty Ltd, 2 Fineways Blvd, Keyborough, Vic3173