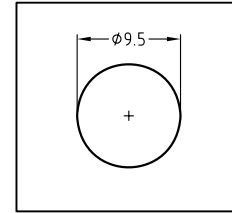
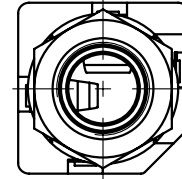
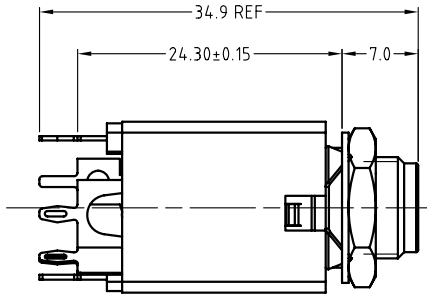
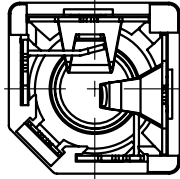
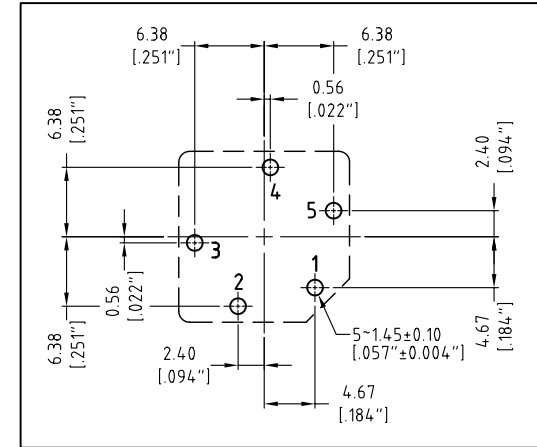
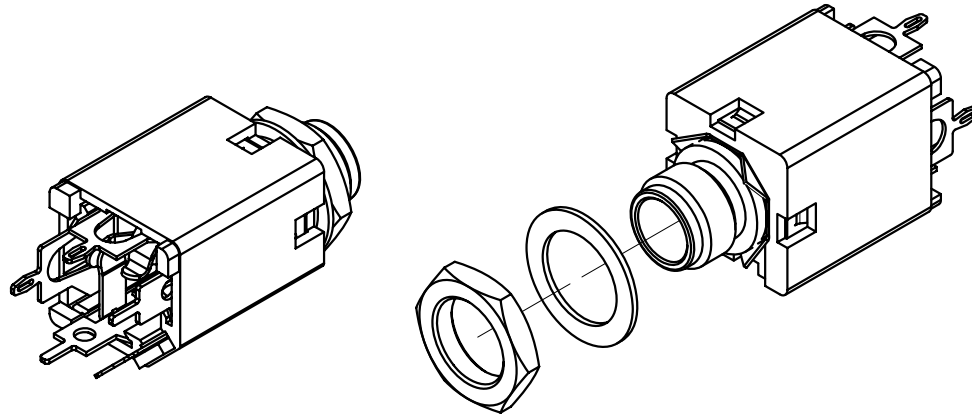




PEAK
CONFERENCE
www.PeakConference.com



PANEL CUTOUT



PCB LAYOUT
(CONNECTOR SIDE)

PART No.	ACJM-MV-2	ACJM-MV-2S	ACJS-MV-3	ACJS-MV-3S	ACJS-MV-5
SCHMATIC					

2	CHANGE DWG TO 55010228-000-5 AND ADD SHEETS 4 & 5 FOR P/Nos: ACJM-MV-2S, ACJS-MV-3S & ACJS-MV-5	L.V	08-04-05	8362
1	CHANGE STAR WASHER TO 4 POINT GROUNDING CONTACT ADD PAGE 3 FOR STEREO (ACJS-MV) ASSY DRAWING	L.V	24-02-04	8267
0	FIRST ISSUE	L.V	07-04-03	----
REV.	CHANGE DETAILS	BY	DATE	CHG/No

UNLESS OTHERWISE SPECIFIED TOLERANCE TO BE		THIS DOCUMENT IS THE PROPERTY OF AMPHENOL AUSTRALIA PTY. LTD. NO PART THEREOF MAY BE REPRODUCED AND USED WITHOUT THE PRIOR WRITTEN CONSENT OF THE OWNER			
LINEAR	ANGULAR	CAD FILE: 55010228000152	DRN: L.V	DATE: 07-04-03	TITLE:
X ± 0.5	X° ± 1°	MATL: REFER TO COMPONENTS	CKD: M.N.H	DATE: 11-10-05	ACJS/M-MV-xxx 1/4" PHONE JACK CUSTOMER DWG
X.X ± 0.1	X°X' ± 30'	DO NOT SCALE	FINISH: REFER TO COMPONENTS	DATE: 11-10-05	
X.XX ± 0.05	X°X'X" ± 15"	THIRD ANGLE PROJECTION		SCALE: 2:1 UOS	PART No: SEE SCHEMATIC
BREAK ALL SHARP EDGES AND REMOVE ALL BURRS		APP'D: P.M		DATE: 11-10-05	SIZE: A3
DIMENSIONS IN MILLIMETRES		SCALE: 2:1 UOS		DATE: 11-10-05	SIZE: A3

Amphenol	
Amphenol Australia Pty.Ltd, 2 Fireways Blvd, Keysborough, Vic3173	
DRAWING NO.	SHEET
55010228-000-5	1 OF 5