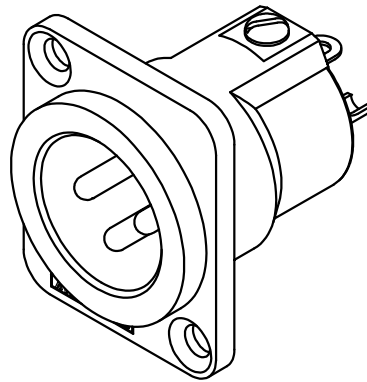


PANEL CUT OUT



ISO VIEW



AC*MDZ	INSERT No.
AC3MDZ	156-4066-*00
AC3MMDZ	156-4068-*00
AC4MDZ	156-4069-*00
AC5MDZ	156-4070-*00
AC6AMDZ	156-4071-*00
AC7MDZ	156-4072-*00

3	UPDATE TO AMPHENOL TITLE BLOCK & LOGO ADD SHEET 2 OF 2 FOR CUSTOMER DRAWING	L.V	02-10-01	7869
2	UPDATE TO AMPHENOL TITLE BLOCK & LOGO INCLUDE THE CONNECTOR ASSEMBLY VIEW	L.V	01-11-00	7661
0	FIRST ISSUE	R.D.	22-09-95	----
REV.	CHANGE DETAILS	BY	DATE	CHG/No

UNLESS OTHERWISE SPECIFIED TOLERANCE TO BE		THIS DOCUMENT IS THE PROPERTY OF AMPHENOL AUSTRALIA PTY. LTD.. NO PART THEREOF MAY BE REPRODUCED AND USED WITHOUT THE PRIOR WRITTEN CONSENT OF THE OWNER			
LINEAR	ANGULAR	CAD FILE: 00819103	DRN: R.D.	DATE: 22-09-95	TITLE: AC*MDZ PANEL MOUNT CUSTOMER DRAWING
X ± 1	X' ± 1'	MATL: REFER TO COMPONENT	CKD: M.N.H	DATE: 24-10-01	<b>Amphenol</b> Amphenol Australia Pty Ltd, 2 Fineways Blvd, Keysborough, Vic 3173 DRAWING NO. SHEET
X.X ± 0.5	X'X' ± 30'	DO NOT SCALE	FINISH: REFER TO COMPONENT	APP'D: P.M	
X.XX ± 0.10	X'X'X' ± 15'	DIMENSIONS IN MILLIMETRES		THIRD ANGLE PROJECTION	SCALE: 2:1 UOS
		PART No: 128459-0000		SIZE: A3	128459-0000 2 of 2