

1

2

3

4

5

6

A

A

B

B

C

C

D

D

E

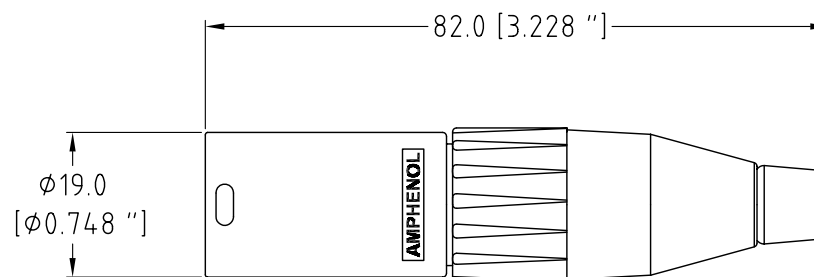
E

F

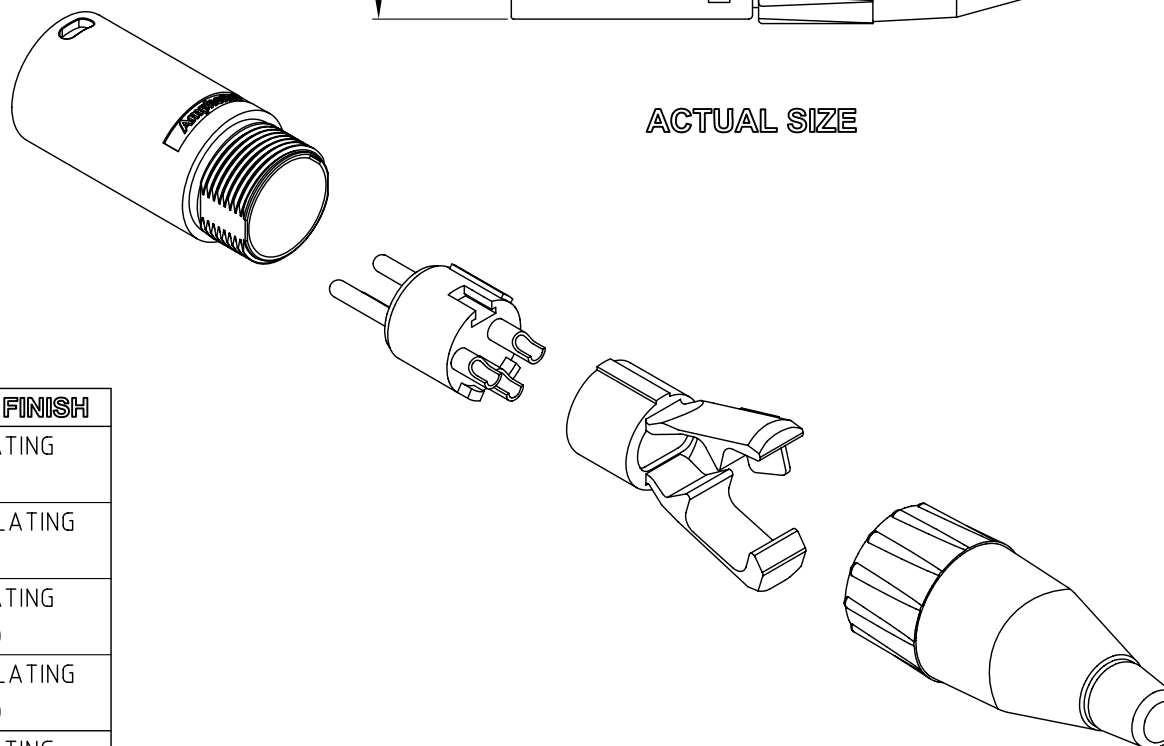
F



PEAK
CONFERENCE
www.PeakConference.com



ACTUAL SIZE



CAT P/No.	SHELL FINISH	CONTACT FINISH
AC3M-AU	NICKEL	GOLD PLATING
AC3MJ-AU		STAMPED
AC3M		SILVER PLATING
AC3MJ		STAMPED
AC3MM-AU	NICKEL	GOLD PLATING
AC3MMJ-AU		MACHINED
AC3MM		SILVER PLATING
AC3MMJ		MACHINED
AC3MB-AU	BLACK	GOLD PLATING
AC3MBJ-AU		STAMPED
AC3MB		SILVER PLATING
AC3MBJ		STAMPED
AC3MMB-AU	BLACK	GOLD PLATING
AC3MMBJ-AU		MACHINED
AC3MMB		SILVER PLATING
AC3MMBJ		MACHINED

UNLESS OTHERWISE SPECIFIED TOLERANCE TO BE		THIS DOCUMENT IS THE PROPERTY OF AMPHENOL AUSTRALIA PTY. LTD. NO PART THEREOF MAY BE REPRODUCED AND USED WITHOUT THE PRIOR WRITTEN CONSENT OF THE OWNER				0	FIRST ISSUE	L.V	01-05-06	----				
LINEAR		ANGULAR		CAD FILE:	00847100	DRN:	L.V	DATE:	01-05-06	REV.	CHANGE DETAILS	BY	DATE	CHG/No
X ± 0.5	X° ± 1°			MATERIAL: REFER TO COMPONENT		CKD:	M.N.H	DATE: 01-05-06		TITLE: AC3M/AC3MM LINE CONNECTOR CUSTOMER DWG		Amphenol Australia Pty.Ltd, 2 Fireweys Blvd, Keysborough, Vic3173		
X.X ± 0.1	X°X' ± 30'			DO NOT SCALE		FINISH:	REFER TO COMPONENT	APP'D:	P.M	DATE: 01-05-06		DRAWING NO. 130153-0000		SHEET 2 OF 2
X.XX ± 0.05	X°X'X" ± 15"			DIMENSIONS IN MILLIMETRES		THIRD ANGLE PROJECTION	SCALE: 1:1 UOS	PART No: REFER TO CHART		SIZE: A4				

1

2

3

4

5

6