

1 2 3 4 5 6

A

B

C

D

E

F

A

B

C

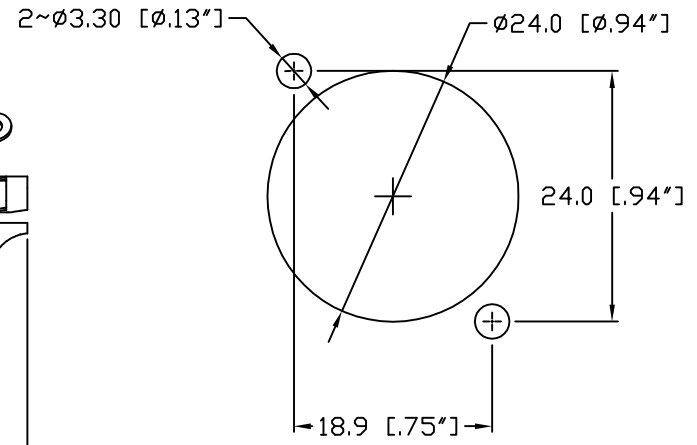
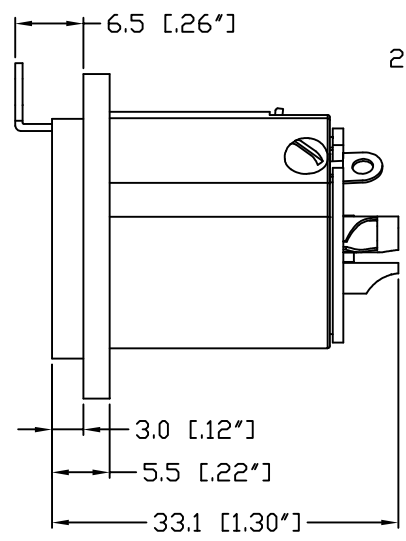
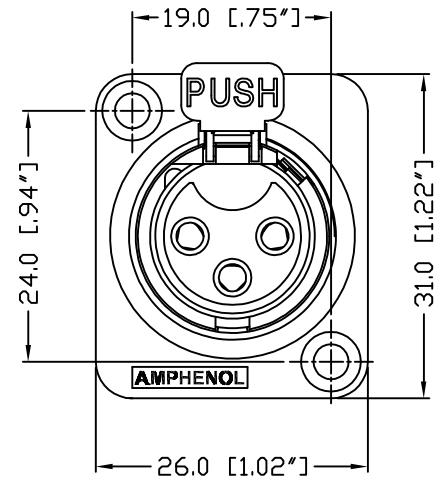
D

E

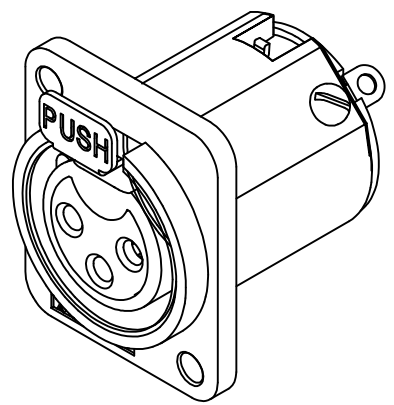
F



PEAK
CONFERENCE
www.PeakConference.com



PANEL CUT OUT



ISO VIEW

AC*FDZ	INSERT No.
AC3FDZ	156-4065-*00
AC4FDZ	156-4073-*00
AC5FDZ	156-4074-*00
AC6AFDZ	156-4075-*00
AC7FDZ	156-4076-*00

UNLESS OTHERWISE SPECIFIED TOLERANCE TO BE		THIS DOCUMENT IS THE PROPERTY OF AMPHENOL AUSTRALIA PTY. LTD.. NO PART THEREOF MAY BE REPRODUCED AND USED WITHOUT THE PRIOR WRITTEN CONSENT OF THE OWNER		2	UPDATE TO AMPHENOL LOGO ADD SHEET 2 OF 2 FOR CUSTOMER DRAWING	M.N.H.	27-06-00	7473
LINEAR	ANGULAR	CAD FILE: 00821102	DRN: D.v.E.	0	FIRST ISSUE	D.v.E.	21-09-1995	----
X ± 0.50	X' ± 1'	MATL: REFER TO COMPONENT	CKD: M.N.H.	REV.	CHANGE DETAILS	BY	DATE	CHG/No
X,X ± 0.10	X'X' ± 30'	FINISH: REFER TO COMPONENT	APP'D: P.M.					
X,XX ± 0.05	X'X'X' ± 15'	DIMENSIONS IN MILLIMETRES	THIRD ANGLE PROJECTION	SCALE: 2:1 UOS	PART No: 128461-0000	SIZE: A3	128461-0000	2 OF 2
				TITLE: AC*FDZ PANEL MOUNT CUSTOMER DRAWING		Amphenol Amphenol Australia Pty.Ltd, 2 Fineways Blvd, Keysborough, Vic.3173 DRAWING NO. SHEET		