

1

2

3

4

5

6

A

A

B

B

C

C

D

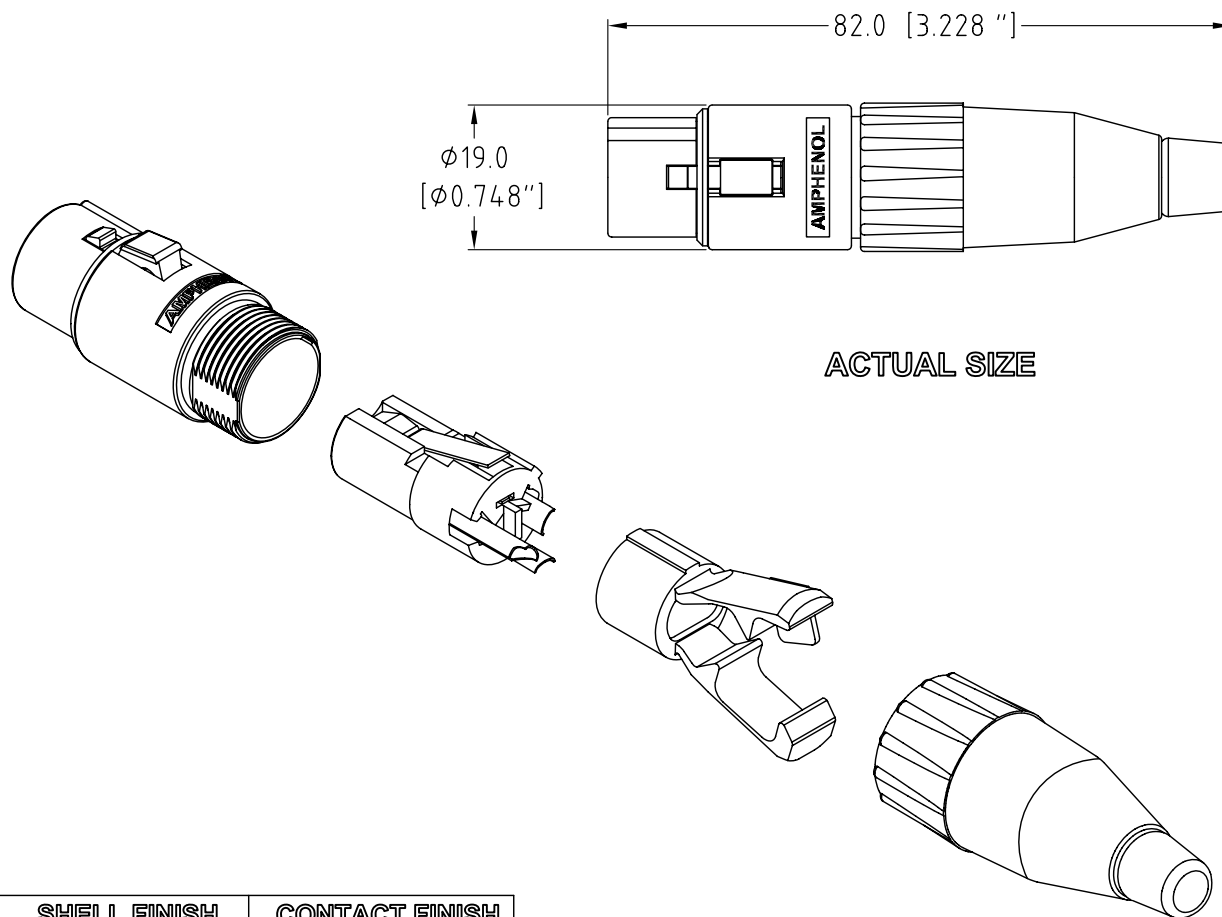
D

E

E

F

F



ACTUAL SIZE

CAT P/No.	SHELL FINISH	CONTACT FINISH
AC3F	NICKEL	TIN PLATING
AC3FJ		
AC3F-AU		GOLD PLATING
AC3FJ-AU		
AC3FB	BLACK	TIN PLATING
AC3FBJ		
AC3FB-AU		GOLD PLATING
AC3FBJ-AU		

UNLESS OTHERWISE SPECIFIED TOLERANCE TO BE		THIS DOCUMENT IS THE PROPERTY OF AMPHENOL AUSTRALIA PTY. LTD. NO PART THEREOF MAY BE REPRODUCED AND USED WITHOUT THE PRIOR WRITTEN CONSENT OF THE OWNER				0	FIRST ISSUE	L.V	01-05-06	----				
LINEAR		ANGULAR		CAD FILE:	00848100	DRN:	L.V	DATE:	01-05-06	TITLE:				
X ± 0.5	X° ± 1°			MATL:	REFER TO COMPONENT	CKD:	M.N.H	DATE:	01-05-06	AC3F LINE CONNECTOR CUSTOMER DWG				
XX ± 0.1	X°X' ± 30'			DO NOT SCALE	FINISH: REFER TO COMPONENT	APP'D:	P.M	DATE:	01-05-06					
XXX ± 0.05	X°X'X" ± 15"			DIMENSIONS IN MILLIMETRES		THIRD ANGLE PROJECTION	SCALE:	1:1 UOS	PART No:	REFER TO CHART	SIZE:	A4	128321-0000	2 OF 2

Amphenol
 Amphenol Australia Pty.Ltd, 2 Fireweys Blvd, Keysborough, Vic3173
 DRAWING NO. SHEET