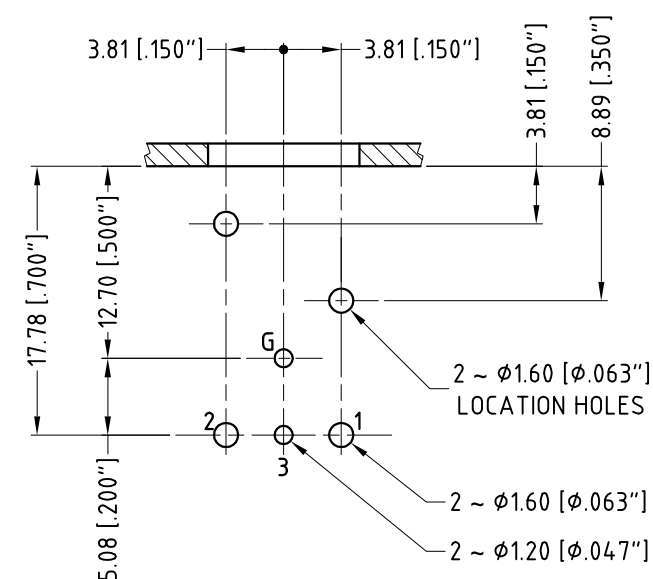
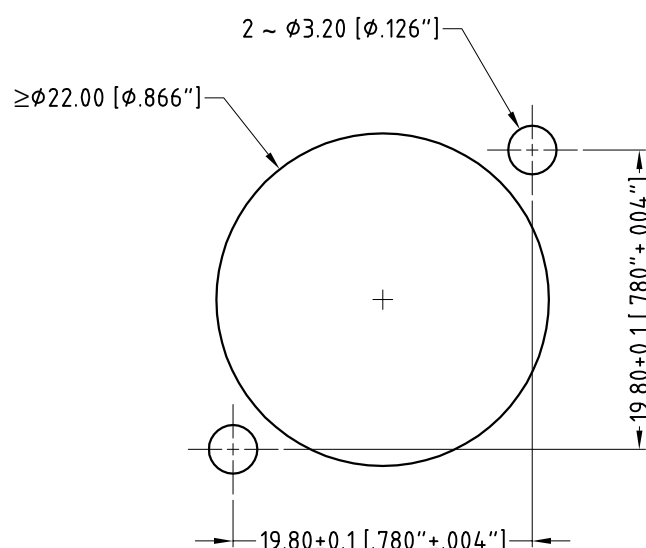
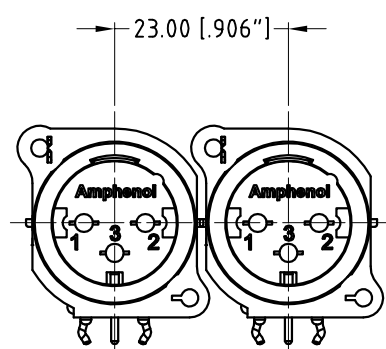
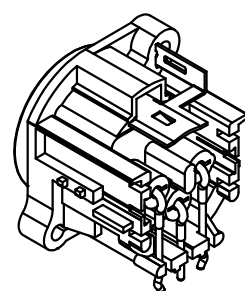
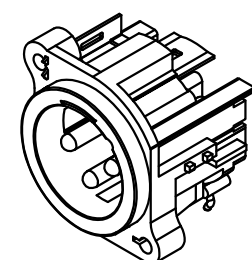
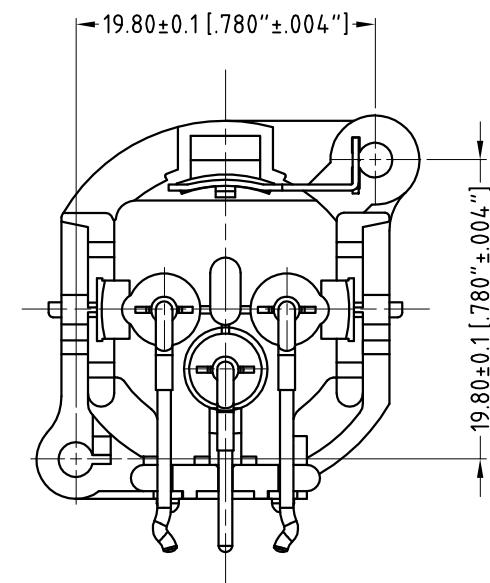
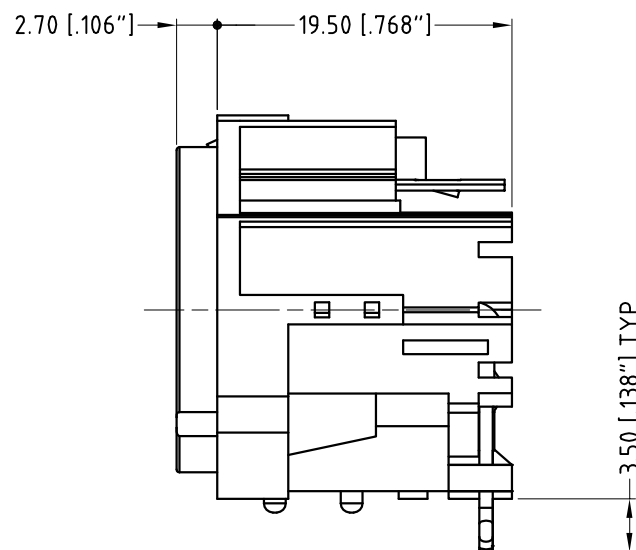
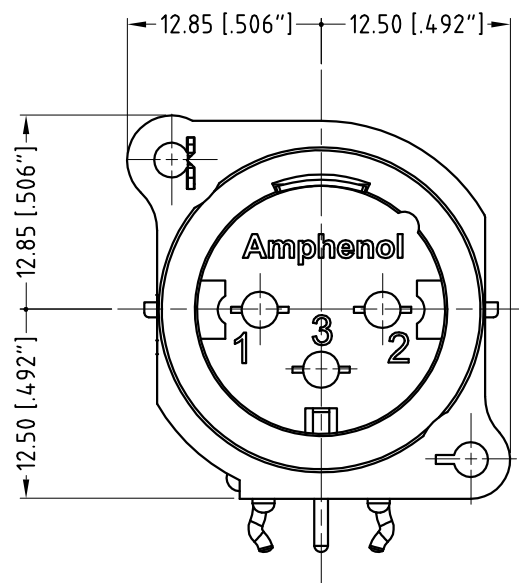




**PEAK**  
CONFERENCE  
www.PeakConference.com



**ISO VIEW**  
SCALE 1:1

**MIN MOUNTING PITCH**  
SCALE 1:1

**PANEL CUT OUT**  
REAR VIEW

**PCB - LAYOUT**  
COMPONENT SIDE  
TOLERANCE: ±0.05mm [.002"]

|  |              |  |            |                              |  |
|--|--------------|--|------------|------------------------------|--|
| UNLESS OTHERWISE SPECIFIED TOLERANCE TO BE |              | THIS DOCUMENT IS THE PROPERTY OF AMPHENOL AUSTRALIA PTY. LTD.. NO PART THEREOF MAY BE REPRODUCED AND USED WITHOUT THE PRIOR WRITTEN CONSENT OF THE OWNER |            |                              |  |
| LINEAR                                     | ANGULAR      | CAD FILE:  | DRN:       | DATE:                        | TITLE:   |
| X ± 0.5                                    | X° ± 1°      | 55010043000221   | L.V        | 23-03-01                     | <b>AC3MAH2 A-TYPE HORIZONTAL MALE CUSTOMER DRAWING</b> |
| X.X ± 0.1                                  | X°X' ± 30'   | MATL: REFER TO COMPONENT   | CKD: M.N.H | DATE: 20-06-03               |  |
| X.XX ± 0.05                                | X°X'X" ± 15' | FINISH: REFER TO COMPONENT   | APP'D: P.M | DATE: 30-06-03               |  |
| BREAK ALL SHARP EDGES AND REMOVE ALL BURRS |              | DO NOT SCALE   |            | DIMENSIONS IN MILIMETRES     | THIRD ANGLE PROJECTION                                 |
|  |              | SCALE: 2:1 UOS   |            | PART No: <b>55010043-000</b> | SIZE: A3   |

|      |   |     |          |        |
|------|---|-----|----------|--------|
| 1    | UPDATE FROM CUSTOMER DRAWING ADD PAGE 1 OF 2 FOR ASSEMBLY DRAWING | L.V | 12-06-03 | 8185   |
|      | FIRST ISSUE   | L.V | 23-03-01 | ----   |
| REV. | CHANGE DETAILS  | BY  | DATE     | CHG/No |

**Amphenol**  
Amphenol Australia Pty.Ltd, 2 Fiveways Blvd, Keysborough, Vic3173  
DRAWING NO. SHEET  
55010043-000-2 2 OF 2